



AQ Matic Valve & Controls Company, Inc.

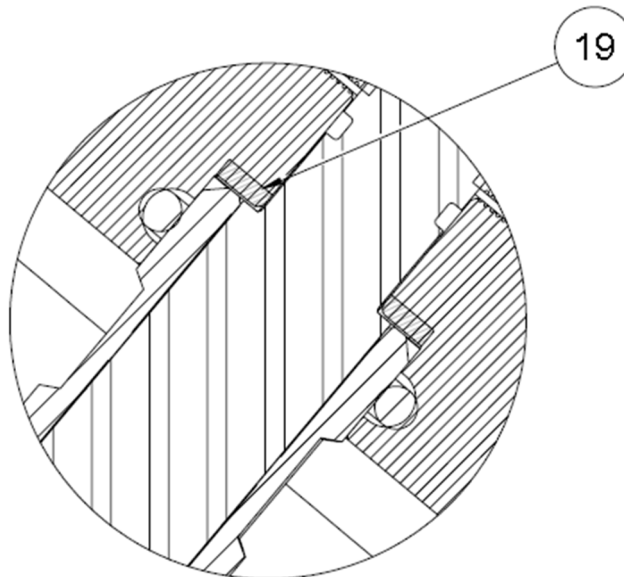
February 18, 2020

PERFORMANCE BULLETIN 124

K537 Diaphragm Plate Changed to Stainless Steel

The Upper and Lower Diaphragm Plates on K537 valves are being changed to 303 Stainless Steel material. This update is being done to increase strength of the plates. New Part Numbers are being introduced for the individual plates as shown below, but repair kit and valve Part Numbers will remain unchanged. The Stainless Steel plates are fully interchangeable with the plastic plates.





Because of this update, washer PN 43328, item 19 below, will no longer be required between the top of the Shaft and Lower Diaphragm Plate. If switching Diaphragm Plates from Plastic to Stainless Steel, remove and discard washer PN 43328.



**Washer Item 19 used on Plastic Diaphragm Plates Only
Remove Washer Item 19 when installing Stainless Steel Diaphragm Plates**



AQ Matic Valve & Controls Company, Inc.

Plastic Lower Diaphragm Plate PN 61886	Stainless Steel Lower Diaphragm Plate PN 4510494
	
Plastic Upper Diaphragm Plate PN 1073448	Stainless Steel Upper Diaphragm Plate PN 4510495
	

If any questions should arise, please contact us at TechSupport@AQ-Matic.com or +1-262-326-0100.

Thank you for your business.