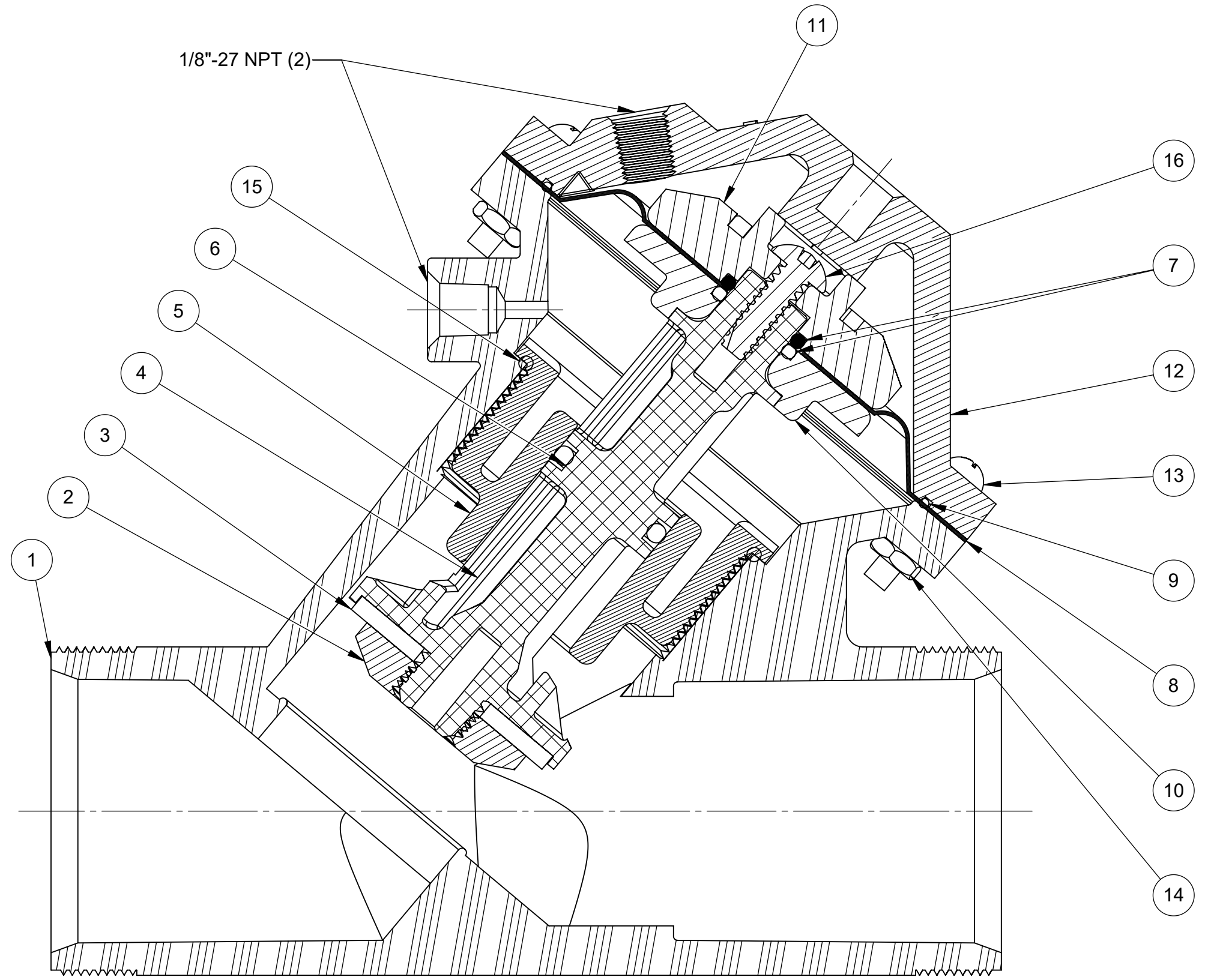


ASSEMBLY TOOLS	
DESCRIPTION	PART NO.
FOR INSTALLATION & REMOVAL OF SHAFT GUIDE (ITEM #5)	1075143 (524-Z)
TO HOLD SHAFT (ITEM #4) DURING ASSEMBLY/ DISASSEMBLY	1077837

TORQUE TABLE		
ITEM #	DESCRIPTION	TORQUED TO (+/- 10%)
2	PLATE, DISC	24 IN-LB
5	GUIDE, SHAFT	80 IN-LB
13 & 14	CAP SCREW & NUT	30 IN-LB
16	SCREW, CUTTING	35 IN-LB

REVISIONS				
ECN	REV	DESCRIPTION	DATE	APPROVED
101699	J	REDRAWN IN SOLIDWORKS, DWG # NOW SAME AS FORM #	03/14/14	TJM
1001	K	AQ MATIC BRANDING UPDATE, AQ DRAWING TEMPLATE CONVERSION	01/17/17	MGS
1507	L	AQ MATIC BRANDING UPDATE, CORRECT ERRORS, ADD TORQUE TABLE	05/03/19	KJB
	M	RESTRUCTURE CATALOG SHEET	4/14/21	TRK
2357	N	UPGRADED ITEM #16	2/23/2024	RFT

NORMALLY OPEN MODEL				
ITEM NO.	DESCRIPTION	PART NUMBER	QTY.	
1	BODY, VALVE, 524	NORYL 1075079 (524-AK)	1	
2	PLATE, DISC, 524	NORYL 1076198	1	
3	DISC	EPDM 1075107 (524-J)	1	
		BUTYL 1075108 (524-JJ)		
		FKM 1075109 (524-JV)		
4	SHAFT, 524, NORMALLY OPEN	1076205	1	
5	GUIDE SHAFT, SERIES 5524	NORYL 1075106 (524-GK)	1	
6	O-RING, 2-210	BUTYL 1071776	1	
		EPDM 1071744 (ORE-210)		
		FKM 1071815 (ORV-210)		
7	O-RING, 2-113	EPDM 1071728 (ORE-113)	2	
8	DIAPHRAGM, 524	BUNA 1078393 (524-FB)	1	
		FKM 1075105 (524-FV)		
9	O-RING, 2-043	BUNA 1071686 (ORB-043)	1	
10	PLATE, DIAPHRAGM, LOWER, 524	NORYL 1076197	1	
11	PLATE, DIAPHRAGM, UPPER, 524	NORYL 43041	1	
12	CAP, 524, VALVE	NORYL 1075086	1	
13	SCREW, #10-32 X 1", RND HD	SS 1072381 (SCS-0097)	12	
14	HEX NUT, 10-32	SS 1071648 (NUS-0006)	12	
15	O-RING, 2-137	EPDM 1071735 (ORE-137)	1	
		BUTYL 1071771 (ORJ-137)		
		FKM 1071807 (ORV-137)		
16	SCREW, 1/4"-14 x .75", CUTTING TYPE BT	SS 1077101	1	



1070168 (K524-X200-14000)
NORMALLY OPEN (STANDARD)

- SEE DRAWING 1081309 FOR UNION END CONNECTORS AND GROOVED ADAPTORS
- SEE DRAWING 1078150 FOR THREADED SOCKET WELD ENDS AND THREADED FLANGED ADAPTORS
- SEE SHEET 2 FOR CONFIGURATION OPTIONS

INTERPRET DIMENSIONS AND TOLERANCES PER ASME Y14.5M -2018.
 PRIMARY UNITS SHOWN IN INCHES.
 SECONDARY UNITS SHOWN IN MILLIMETERS.
 THIRD ANGLE PROJECTION
 DEFAULT TOLERANCES:
 ANGLES: ± 1°
 1 PLACE .X: ± .100 [2.54]
 2 PLACE .XX: ± .010 [0.3]
 3 PLACE .XXX: ± .005 [0.13]
 THE COMPONENT OR PRODUCT DESCRIBED IN THIS DOCUMENT MUST COMPLY WITH RoHS 3 EU (EUROPEAN UNION) DIRECTIVE 2015/863 AND EU REACH REGULATION (EC) 1907/2006.
 THIS DOCUMENT IS SOLELY THE PROPERTY OF AQ-MATIC. REPRODUCTION, USE DISCLOSURE, OR TRANSMISSION OF THIS DOCUMENT OR DETAILS CONTAINED HEREIN, IN PART OR IN WHOLE, IS PROHIBITED WITHOUT THE WRITTEN CONSENT OF AQ-MATIC ENGINEERING. THIS DOCUMENT AND ANY COPIES SHALL BE RETURNED TO AQ-MATIC UPON WRITTEN REQUEST.

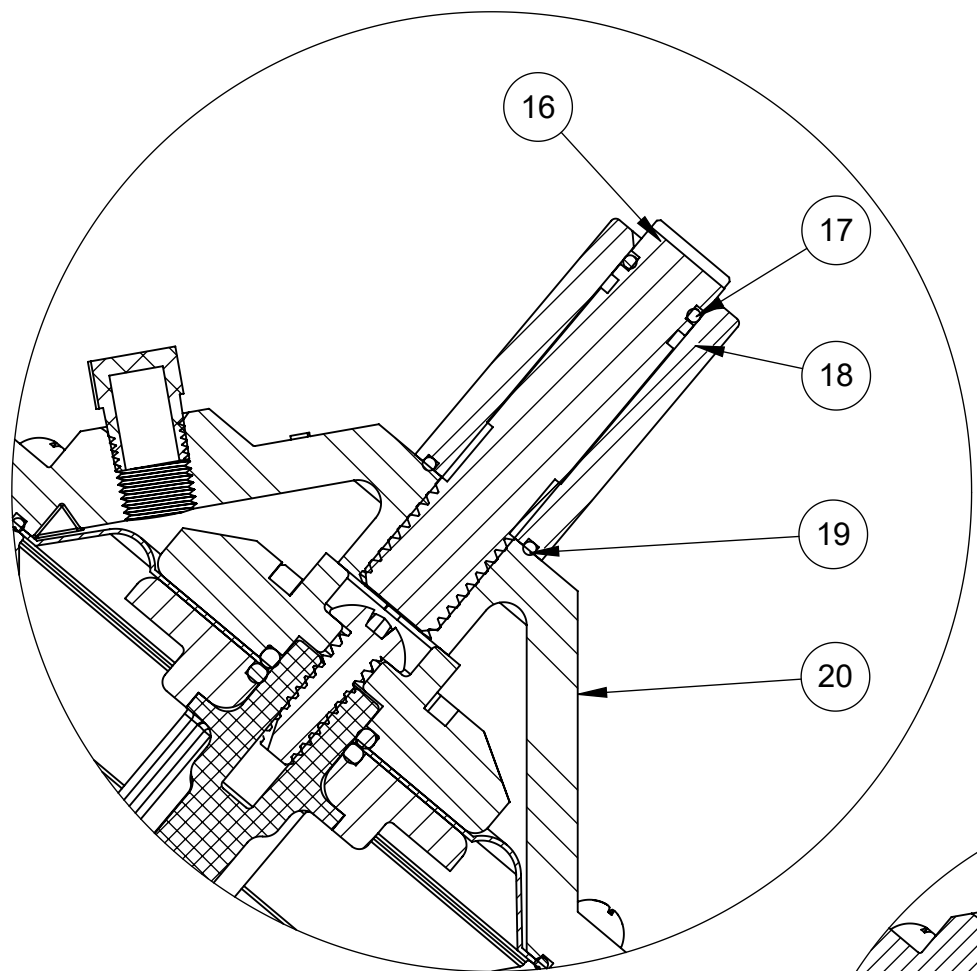
AQMATIC
Valves & Controls

DESCRIPTION
CATALOG SHEET, 524, VALVE

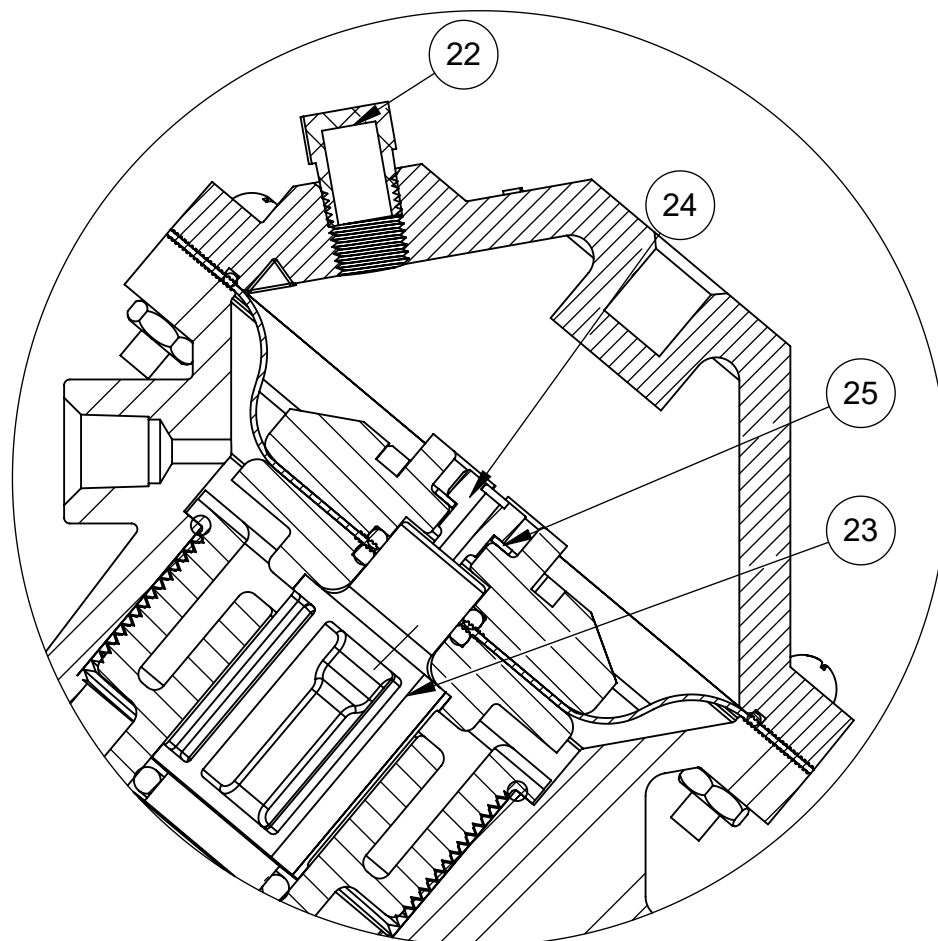
DWG NO. **1077655** REV. **N**

SIZE **C** SCALE **1:2** SHEET **1 OF 2**

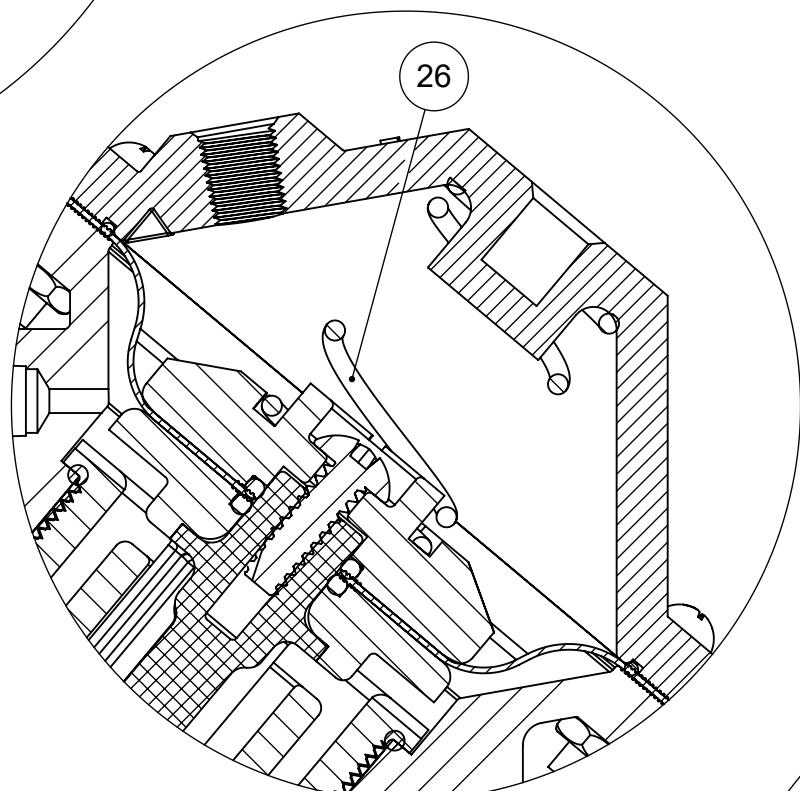
REVISIONS				
ECN	REV	DESCRIPTION	DATE	APPROVED
-	-	SEE SHEET ONE FOR LIST OF CHANGES	-	-



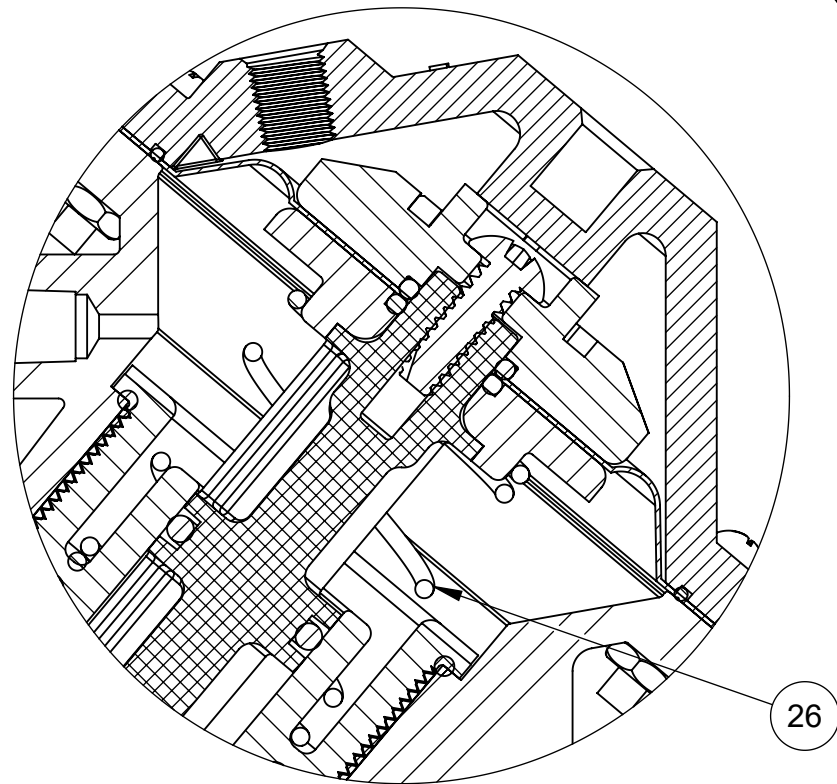
1070170 (K524-X210-14000)
LIMIT STOP



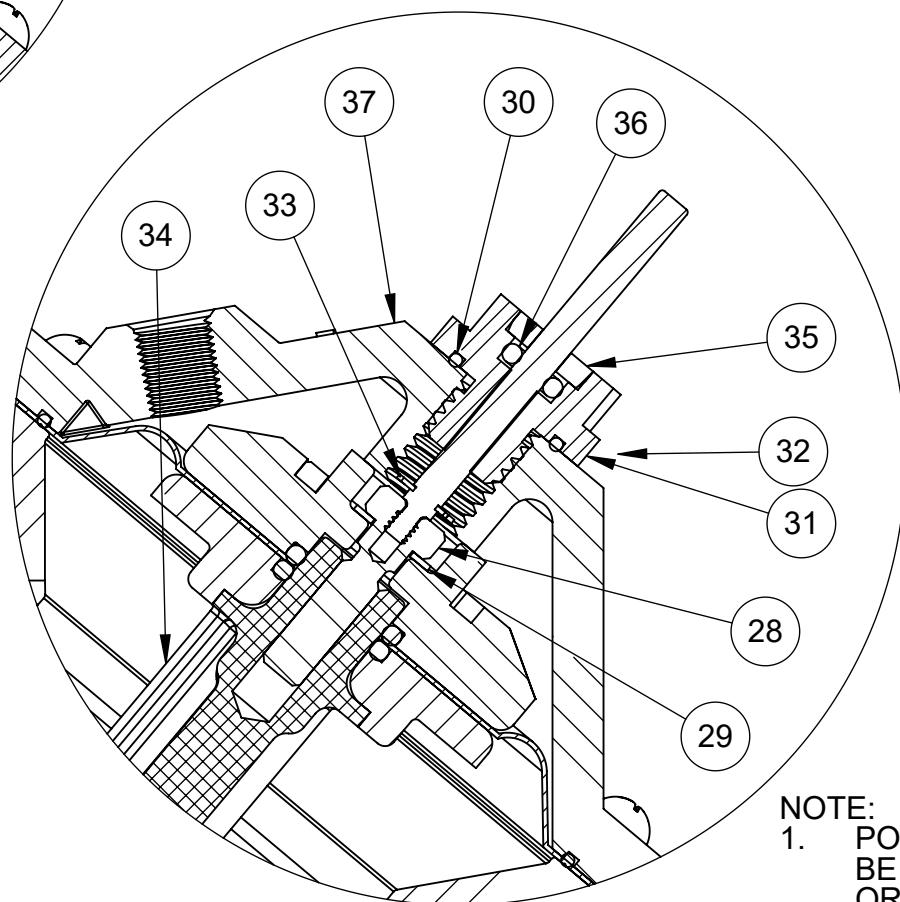
1070172 (K524-X230-14000)
NORMALLY CLOSED



1070171 (K524-X202-14000)
SPRING ASSIST CLOSED



1070169 (K524-X201-14000)
SPRING ASSIST OPEN



1071209 (K524-X221-14000)
POSITION INDICATOR

LIMIT STOP MODEL				
ITEM NO.	DESCRIPTION		PART NUMBER	QTY.
16	LIMIT STOP SCREW	SS	1075142 (524-Y)	1
17	O-RING, 2-012	BUNA	1071668 (ORB-012)	1
18	LIMIT STOP NUT	SS	1075141 (524-X)	1
19	O-RING, 2-016	BUNA	1071719 (ORE-016)	1
20	CAP, LIMIT STOP, 524	NORYL	1075083 (524-BBOK)	1

NORMALLY CLOSED MODEL				
ITEM NO.	DESCRIPTION		PART NUMBER	QTY.
22	MALE PIPE PLUGS 1/8"	HDPE	1071912	1
23	SHAFT, 524, 1/4 THD	NORYL	1076238	1
24	SHAFT, SCREW	SS	1076204	1
25	WASHER	SS	1076201	1

SPRING ASSIST CLOSED MODEL				
ITEM NO.	DESCRIPTION		PART NUMBER	QTY.
26	SPRING, COMPRESSION	SS	1267398	1

SPRING ASSIST OPEN MODEL				
ITEM NO.	DESCRIPTION		PART NUMBER	QTY.
26	XXXXXXX	SS	BR1082694	1

POSITION INDICATOR MODEL				
ITEM NO.	DESCRIPTION		PART NUMBER	QTY.
28	SHAFT, SCREW	SS	1076203	1
29	WASHER	SS	1076201	1
30	O-RING, 2-016	BUNA	1071671	1
31	GUIDE HOUSING, 521	SS	1075038	1
32	ROD, POS. INDICATOR, 524	SS	1076199	1
33	E - RING	SS	1076200	1
34	SHAFT, 524, POS INDICATOR	NORYL	1076205 M.03	1
35	PLUG, GUIDE HOUSING, 520	SS	1074971	1
36	O-RING, 2-106	BUNA	1071687	1
37	CAP, LIMIT STOP, 524		1075083 (524-BBOK)	1

NOTE:
1. POSITION INDICATOR MODEL CANNOT BE COMBINED WITH NORMALLY CLOSED OR LIMIT STOP OPTIONS.
2. POSITION INDICATOR MODEL FURNISHED WITH SPRING ASSIST OPEN OPTION.

- SEE DRAWING 1081309 FOR UNION END CONNECTORS AND GROOVED ADAPTORS
- SEE FORM 1078150 FOR THREADED SOCKET WELD ENDS AND THREADED FLANGED ADAPTORS
- SEE SHEET 1 FOR STANDARD NORMALLY OPEN MODEL

CONVERSION KITS	
DESCRIPTION	PART NO.
CONVERSION KIT (LIMIT STOP) CONSISTS OF ITEM NO'S 9, 17 THRU 21	1071161 (K524-LSC)
CONVERSION KIT (SPRING ASSIST CLOSED) CONSISTS OF ITEM NO. 26	1075124 (524-SC)
CONVERSION KIT (SPRING ASSIST OPEN) CONSISTS OF ITEM NO. 27	1075125 (524-SO)
CONVERSION KIT (POSITION INDICATOR) CONSISTS OF ITEM NO'S 28 THRU 37	1079643 (524-PICN)

REPAIR PARTS KITS	
DESCRIPTION	PART NO.
INT. PARTS KIT (LIMIT STOP) CONSISTS OF ITEM NO'S 17 THRU 20	1075111 (524-LS)
INT. PARTS KIT (NORM. CLOSED) CONSISTS OF ITEM NO'S 2, 5,10,11,23,24,25	1076307 (K524-RGN)
INT. PARTS KIT (SPRING ASSIST CLOSED) CONSISTS OF ITEM NO. 26	1075124 (524-SC)
INT. PARTS KIT (SPRING ASSIST OPEN) CONSISTS OF ITEM NO. 27	1075125 (524-SO)
INT. PARTS KIT (POSITION INDICATOR) CONSISTS OF ITEM NO'S 28 THRU 36	1077591 (524-PIN)

INTERPRET DIMENSIONS AND TOLERANCES PER ASME Y14.5M -2018.
PRIMARY UNITS SHOWN IN INCHES.
SECONDARY UNITS SHOWN IN MILLIMETERS.
THIRD ANGLE PROJECTION
DEFAULT TOLERANCES:
ANGLES: ± 1°
1 PLACE .X: ± .100 [2.54]
2 PLACE .XX: ± .010 [0.3]
3 PLACE .XXX: ± .005 [0.13]
THIS DOCUMENT IS SOLELY THE PROPERTY OF AQ-MATIC. REPRODUCTION, USE DISCLOSURE, OR TRANSMISSION OF THIS DOCUMENT OR DETAILS CONTAINED HEREIN, IN PART OR IN WHOLE, IS PROHIBITED WITHOUT THE WRITTEN CONSENT OF AQ-MATIC ENGINEERING. THIS DOCUMENT AND ANY COPIES SHALL BE RETURNED TO AQ-MATIC UPON WRITTEN REQUEST.



DESCRIPTION
CATALOG SHEET, 524, VALVE
STANDARD MODEL

DWG NO.	1077655	REV.	N
SIZE	C	SCALE	1:2
		SHEET 2 OF 2	