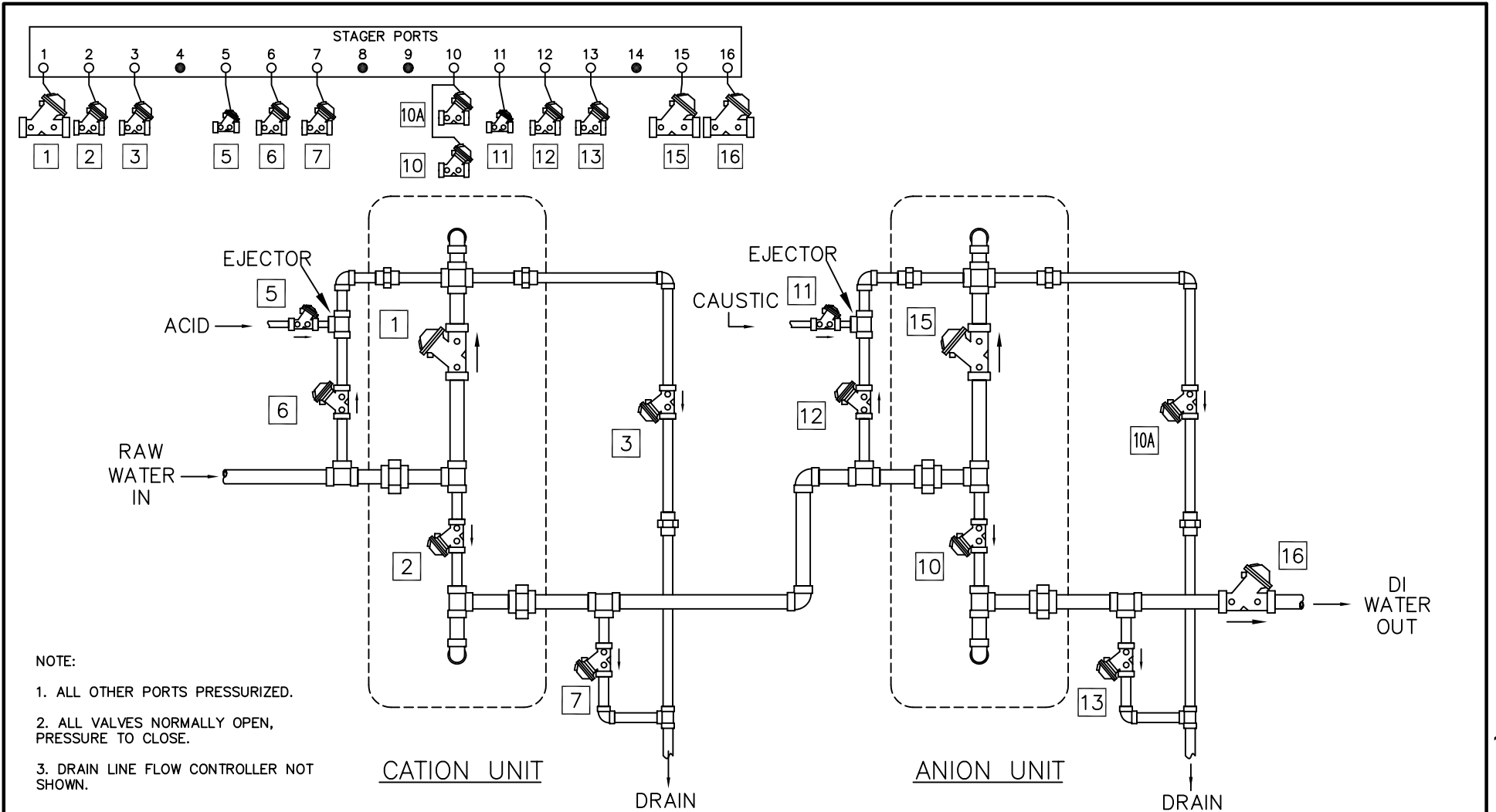


# TWO BED DE-IONIZER SYSTEM (58-00 STAGER)



- NOTE:
1. ALL OTHER PORTS PRESSURIZED.
  2. ALL VALVES NORMALLY OPEN, PRESSURE TO CLOSE.
  3. DRAIN LINE FLOW CONTROLLER NOT SHOWN.

PRINTED IN U.S.A.

### SERIES 58B-00 STAGER PROGRAM

NOTCH	POS.	FUNCTION	PORTS VENTED (NOTE 1)	VALVES OPEN	NOTCH	POS.	FUNCTION	PORTS VENTED (NOTE 1)	VALVES OPEN
A	0	SERVICE	1,15,16	1,15,16	J	4	FAST RINSE	1,7	1,7
B					K	5	ANION BACKWASH	1,10	1,10,10A
C					L				
D	1	CATION BACKWASH	2,3	2,3	M				
E					N	6	CAUSTIC INJECT	1,11,12,13	1,11,12,13
F					P	7	SLOW RINSE	1,12,13	1,12,13
G	2	ACID INJECT	5,6,7	5,6,7	Q	8	FAST RINSE	1,13,15	1,13,15
H	3	SLOW RINSE	6,7	6,7	R				

A	INITIAL RELEASE	NONE	MSM	31JUL01
REV	DESCRIPTION	ECO	DWN	DATE APVD
		16605 West Victor Rd New Berlin, WI 53151 262-326-0100 www.aq-matic.com		
<b>TWO BED DE-IONIZER SYSTEM</b>				
SCALE	DRAWN	DATE	DWG. NO.	
N/A	JWB	31JUL01	1078290	