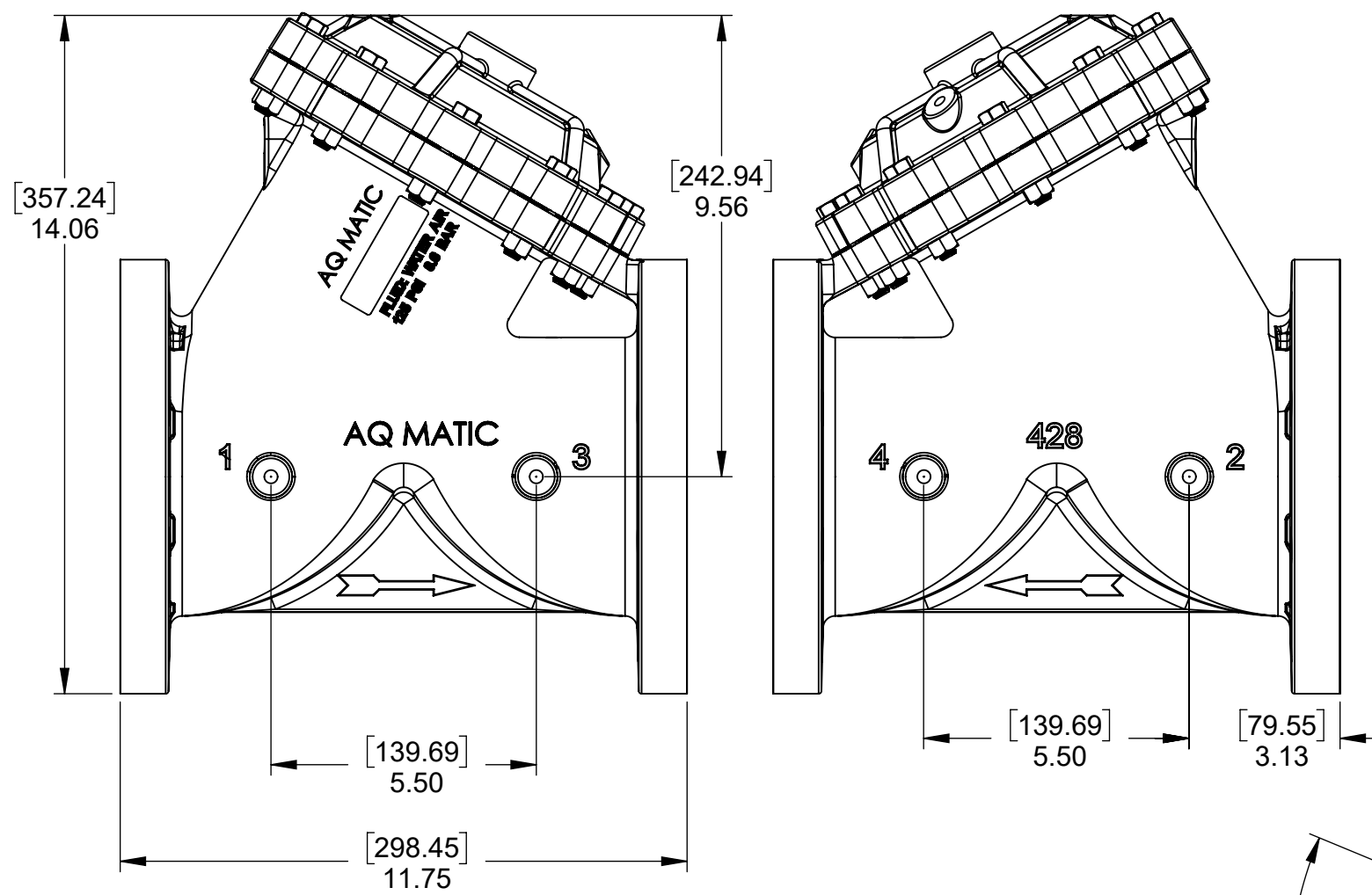


4

3

2

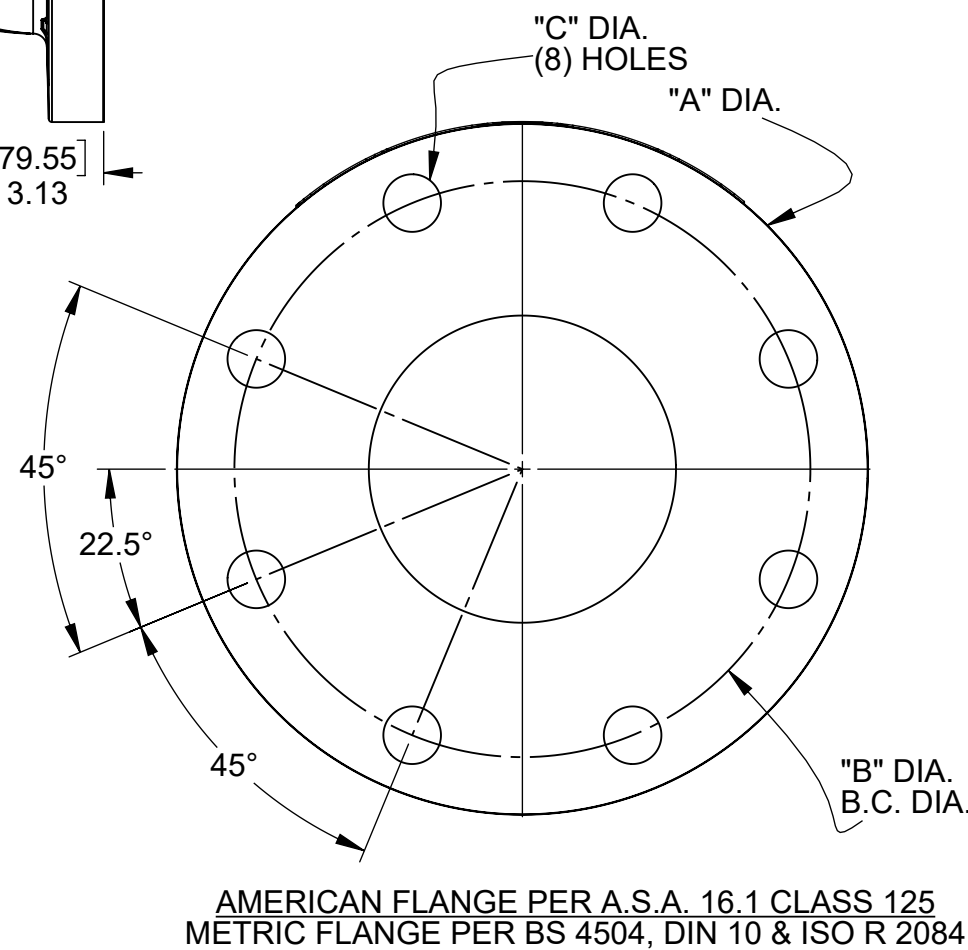
1



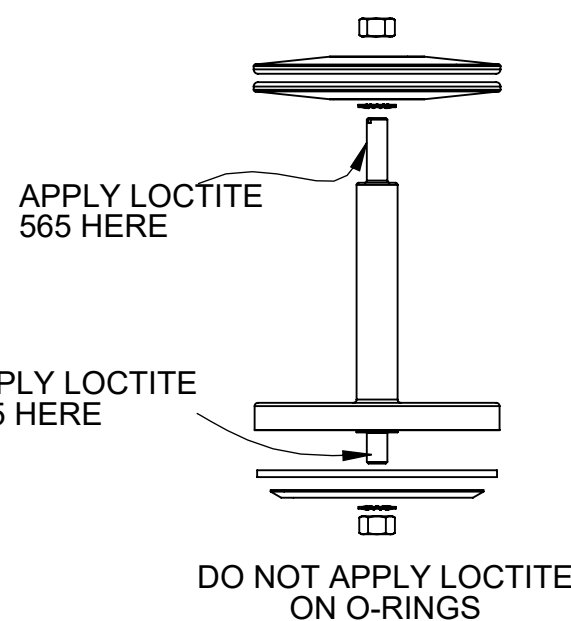
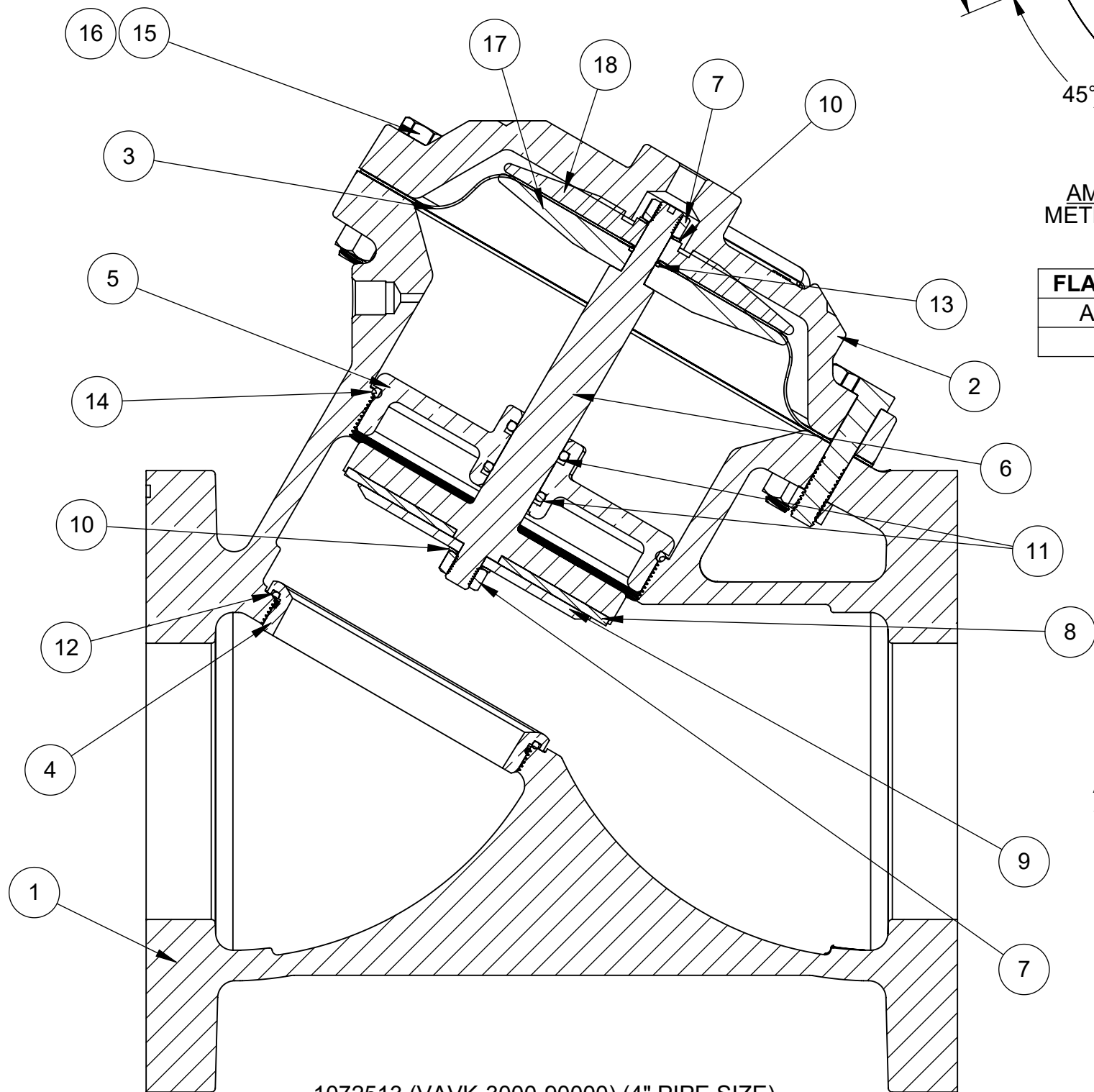
REPAIR PARTS KIT		
DESCRIPTION	PART NO.	
DIAPHRAGM & SEALS KIT CONSISTS OF ITEM NO'S 3, 7(2), 8, 10(2), 11(2) 12, 13, 14	1070111 (AV8-RA)	1070521 (AV8-RAHT)
	INCLUDES DISC 1074571 (428-JH) DIAPHRAGM 1074557 (428-FB)	
	INCLUDES DISC 1074572 (428- JT) DIAPHRAGM 1074559 (428-FV)	
INT. PARTS KIT (NORM. OPEN) CONSISTS OF STANDARD ITEM NO'S 5, 6, 9, 17, 18	1070522 (AV8-RF)	
SEAT (ITEM NO. 4)	1074585 (428-MAO)	

REVISIONS				
ECN	REV.	DESCRIPTION	DATE	APP'D
1831	P	UPDATED MODEL ASSEMBLES, PART TO PRINT	1/22/21	TRK
2218	Q	CORRECTION TO DRAWING, ADD METRIC FLANGED BODY	3/29/23	TRK

NORMALLY OPEN MODEL					
ITEM NO.	DESCRIPTION	STD.	PART NUMBER	QTY.	
1	CAST BODY 4"	C.I. (STD)	* 1074522 (428-A)	1	
		C.I. (METRIC)	1074523		
2	CAP, 428, NPT	CAST IRON	* 1074532 (428-C)	1	
3	DIAPHRAGM	BUNA-N	* 1074557 (428-FB)	1	
		FKM	1074559 (428-FV)		
4	SEAT, BRASS (ASSM. TOOL REQ.)	BRASS	* 1074585 (428-MAO)	1	
5	SHAFT GUIDE (ASSM. TOOL REQ.)	BRASS	* 1074563 (428-GO)	1	
6	NORMALLY OPEN COMBINATION SHAFT	STAINLESS STEEL	* 4510302-01	1	
7	HEX NUT (3/8 - 24)	STAINLESS STEEL	* 3001990 (NUS-0017)	2	
8	DISC	HYCAR	* 1074571 (428-JH)	1	
9	DISC PLATE	STAINLESS STEEL	* 43734 (428-KA)	1	
10	LOCKWASHER, 3/8", INTERNAL	STAINLESS STEEL	* 1073591 (WAS-0008)	2	
11	O-RING 2-210	AFLAS	* 1071665 (ORA-210TC)	2	
12	O-RING, 2-156	FKM	* 1071811 (ORV-156)	1	
13	O-RING, 2-012	FKM	* 1071787 (ORV-012)	1	
14	O-RING, 2-245	FKM	* 1071832 (ORV-245)	1	
15	HEX SCREW, 3/8"-16	PLATED STEEL	1072406 (SCZ-0027)	11	
16	HEX NUT, 3/8" - 16	PLATED STEEL	1071658 (NUZ-0014)	11	
17	DIAPHRAGM PLATE	STAINLESS STEEL	1074555 (428-DAA)	1	
18	UPPER DIAPHRAGM PLATE	STAINLESS STEEL	1074554 (428-DA)	1	



FLANGE STYLE	A	B	C
AMERICAN	9.000	7.500	.750
METRIC	229MM	180MM	18MM



NOTE:

1. AMERICAN NATIONAL STANDARD TAPER PIPE THREADS (NPT) PER ANSI B2.1-1968
2. VALVES AVAILABLE WITH B.S.P.T. END CONNECTIONS.

SEE SHEET 2 FOR CONFIGURATION OPTIONS

1072513 (VAVK-3000-90000) (4" PIPE SIZE)
NORMALLY OPEN (STANDARD)

THIS DOCUMENT IS SOLELY THE PROPERTY OF AQ-MATIC REPRODUCTION, USE DISCLOSURE, OR TRANSMISSION OF THIS DOCUMENT OR DETAILS CONTAINED HEREIN, IN PART OR IN WHOLE, IS PROHIBITED WITHOUT THE WRITTEN CONSENT OF AQ-MATIC ENGINEERING. THIS DOCUMENT AND ANY COPIES SHALL BE RETURNED TO AQ-MATIC UPON WRITTEN REQUEST.

INTERPRET DIMENSIONS AND TOLERANCES PER ASME Y14.5M -1994

UNLESS OTHERWISE SPECIFIED:
DIMENSIONS ARE IN INCHES (mm)
CORNER FILLETS R.005-020 [127-508]
TOLERANCES:
ANGLES: ±1°
1 PLACE .X: ±.100 [2.54]
2 PLACE .XX: ±.010 [0.25]
3 PLACE .XXX: ±.005 [0.13]

THE COMPONENT OR PRODUCT DESCRIBED IN THIS DOCUMENT MUST COMPLY WITH RoHS 3 EU (EUROPEAN UNION) DIRECTIVE 2015/863

THIRD ANGLE PROJECTION

APPROVALS: TRK DATE: 1/22/21

DRAWN: TRK

CHECKED BY:

APPROVED:

AQ Matic AQ-MATIC VALVES AND CONTROLS

DESCRIPTION: CATALOG SHEET, VAV8 VALVE CONFIGURATIONS

SIZE: C DWG NO.: 1077640 REV.: Q

SCALE: 1:4 SOLIDWORKS FORMAT SHEET 1 OF 2

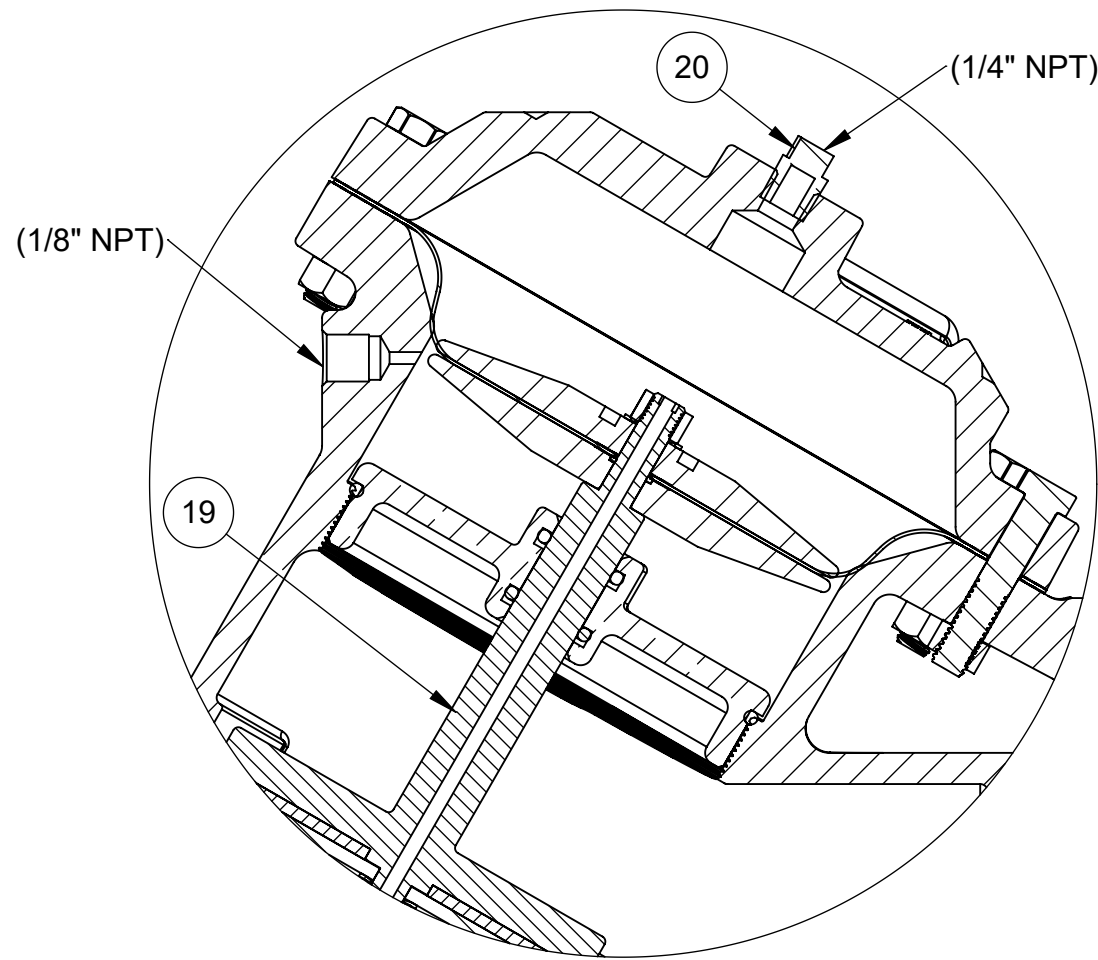
4

3

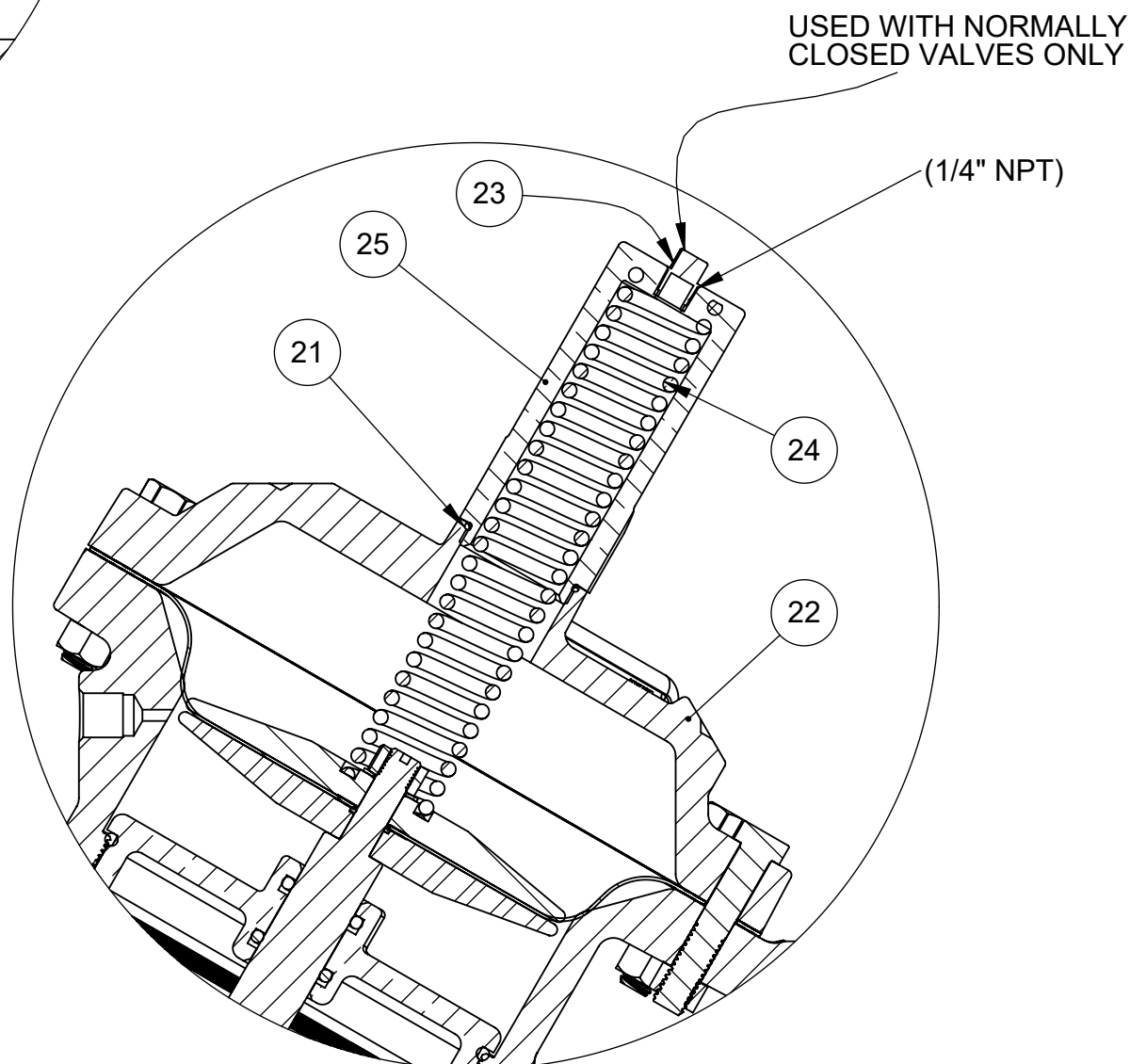
2

1

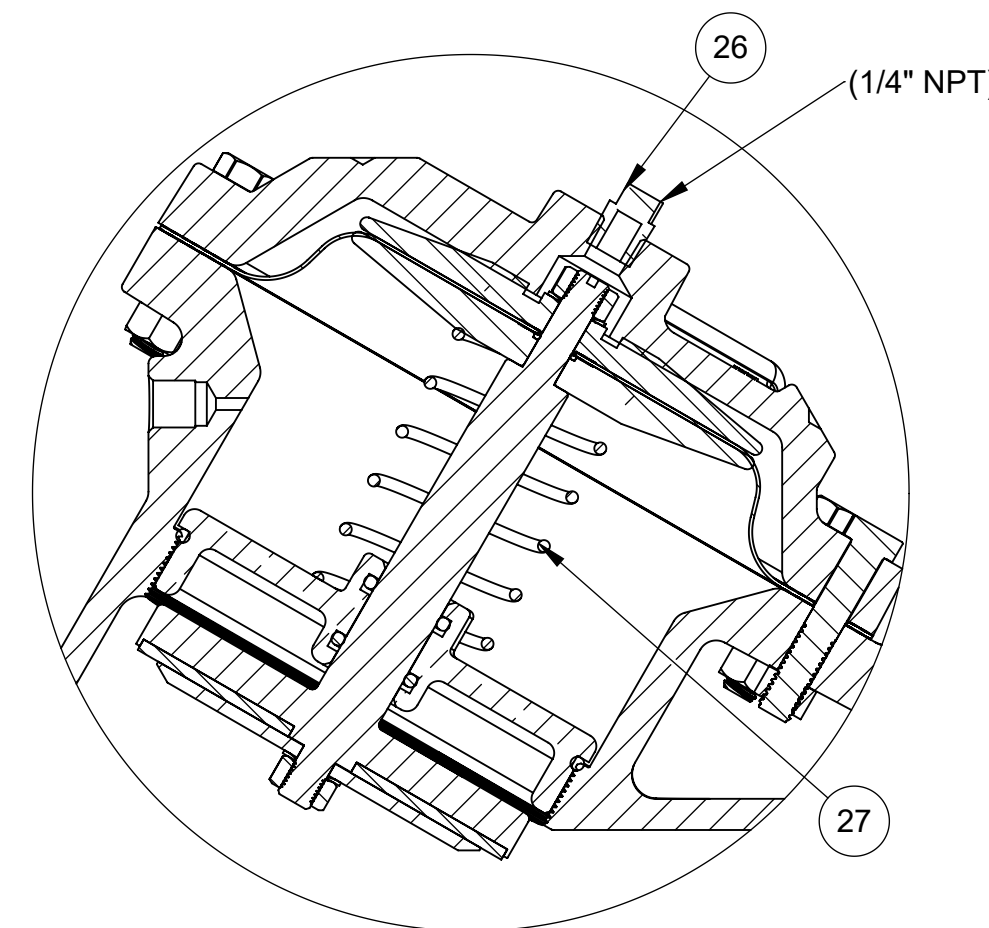
REVISIONS				
ECN	REV.	DESCRIPTION	DATE	APP'D
		SEE PAGE 1 FOR REVISION CHANGES		



VAVK-3030-90000
NORMALLY CLOSED



1072516 (VAVK-3002-90000)
SPRING ASSIST CLOSED



1072514 (VAVK-3001-90000)
SPRING ASSIST OPEN

SEE SHEET 1 FOR STANDARD NORMALLY OPEN MODEL

NORMALLY CLOSED MODEL				
ITEM NO.	DESCRIPTION	STD.	PART NUMBER	QTY.
19	NORMALLY CLOSED COMBINATION SHAFT	STAINLESS STEEL	* 4510302-02 (428-LLA)	1
20	MALE PIPE PLUG, 1/4 NPT	PLATED STEEL	* 1071918 (PLZ-0008)	1
SPRING ASSIST CLOSED MODEL				
ITEM NO.	DESCRIPTION	STD.	PART NUMBER	QTY.
21	O-RING, 2-025	NITRILE	* 1071677 (ORB-025)	1
22	CAP, 428, CI	CAST IRON	* 1074540 (428-CC)	1
23	MALE PIPE PLUG, 1/8\" NPT	BRASS	* 1071903	1
24	SPRING	STAINLESS STEEL	* 1074601 (428-SB)	1
25	RETAINER NUT	BRASS	* 1074609 (428-TT)	1
SPRING ASSIST OPEN MODEL				
ITEM NO.	DESCRIPTION	STD.	PART NUMBER	QTY.
26	MALE PIPE PLUG, 1/4 NPT	PLATED STEEL	* 1071918 (PLZ-0008)	1
27	SPRING	STAINLESS STEEL	* 1074605 (428-SOA)	1

REPAIR PARTS KITS	
DESCRIPTION	PART NO.
INT. PARTS KIT (NORM. CLOSED) CONSISTS OF STANDARD ITEM NO'S 5, 9, 17, 18,19	1070523 (AV8-SCC)
INT. PARTS KIT (SPRING ASSIST CLOSED) CONSISTS OF STANDARD ITEM NO'S 21,24	1070524 (AV8-SC)
INT. PARTS KIT (SPRING ASSIST OPEN) CONSISTS OF STANDARD ITEM NO. 27	1070526 (AV8-SO)

CONVERSION KITS	
DESCRIPTION	PART NO.
CONVERSION KIT (SPRING ASSIST CLOSED) CONSISTS OF STANDARD ITEM NO'S 21-25	1070525 (AV-SCC)
CONVERSION KIT (SPRING ASSIST OPEN) CONSISTS OF STANDARD ITEM NO. 27	1070526 (AV8-SO)

THIS DOCUMENT IS SOLELY THE PROPERTY OF AQ-MATIC REPRODUCTION, USE DISCLOSURE, OR TRANSMISSION OF THIS DOCUMENT OR DETAILS CONTAINED HEREIN, IN PART OR IN WHOLE, IS PROHIBITED WITHOUT THE WRITTEN CONSENT OF AQ-MATIC ENGINEERING. THIS DOCUMENT AND ANY COPIES SHALL BE RETURNED TO AQ-MATIC UPON WRITTEN REQUEST.

INTERPRET DIMENSIONS AND TOLERANCES PER ASME Y14.5M -1994

UNLESS OTHERWISE SPECIFIED:
DIMENSIONS ARE IN INCHES (mm)
CORNER FILLETS R.005-.020 (.127-.508)
TOLERANCES:
ANGLES: ±1°
1 PLACE .X: ±.100 (2.54)
2 PLACE .XX: ±.010 (0.25)
3 PLACE .XXX: ±.005 (0.13)

THE COMPONENT OR PRODUCT DESCRIBED IN THIS DOCUMENT MUST COMPLY WITH RoHS 3 EU (EUROPEAN UNION) DIRECTIVE 2015/863

THIRD ANGLE PROJECTION	
APPROVALS	DATE
DRAWN	1/22/21
CHECKED BY	
APPROVED	

AQ-Matic AQ-MATIC VALVES AND CONTROLS

DESCRIPTION: **CATALOG SHEET, VAV8 VALVE CONFIGURATIONS**

SIZE: **C** DWG NO.: **1077640** REV.: **Q**

SCALE: **1:4** SOLIDWORKS FORMAT SHEET 2 OF 2