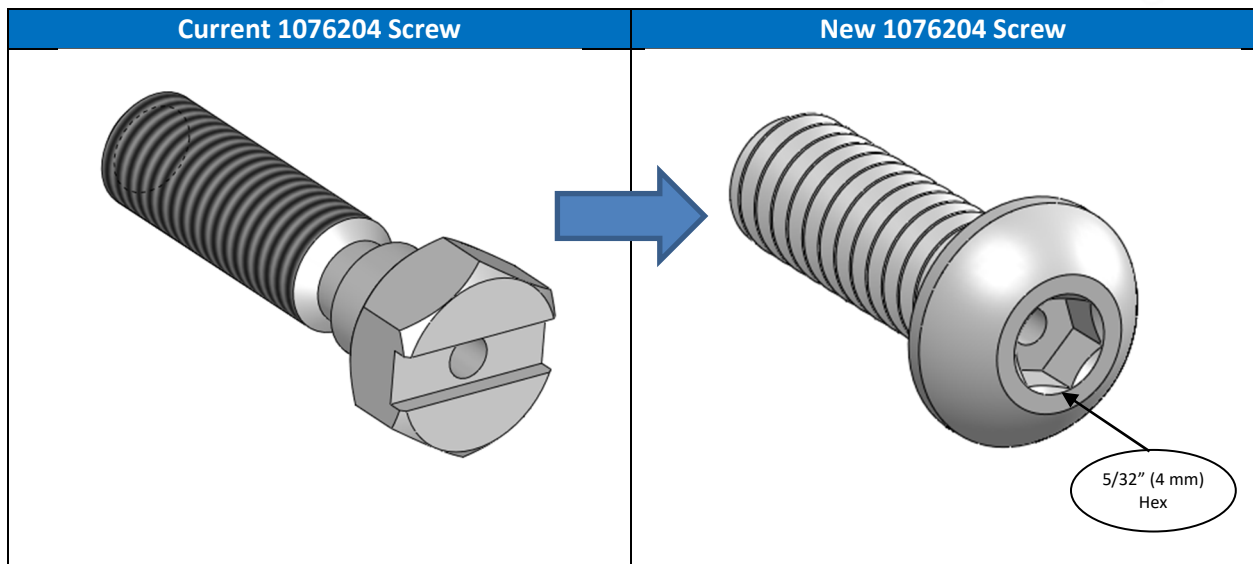


September 6, 2023

**PERFORMANCE BULLETIN 139**

**K524 Normally Closed Diaphragm Screw Update**

Screw PN 1076204 used to compress the K524 diaphragm plates in Normally Closed valves is being updated from an external hex head to an internal hex head. The screw threads are not affected. The new screw will use a 5/32" (4 mm) hex drive or Allen key for removal and installation. The new screw is fully interchangeable with the old.



If any questions should arise, please contact us at [TechSupport@AQ-Matic.com](mailto:TechSupport@AQ-Matic.com) or +1-262-326-0100.