

REVISIONS

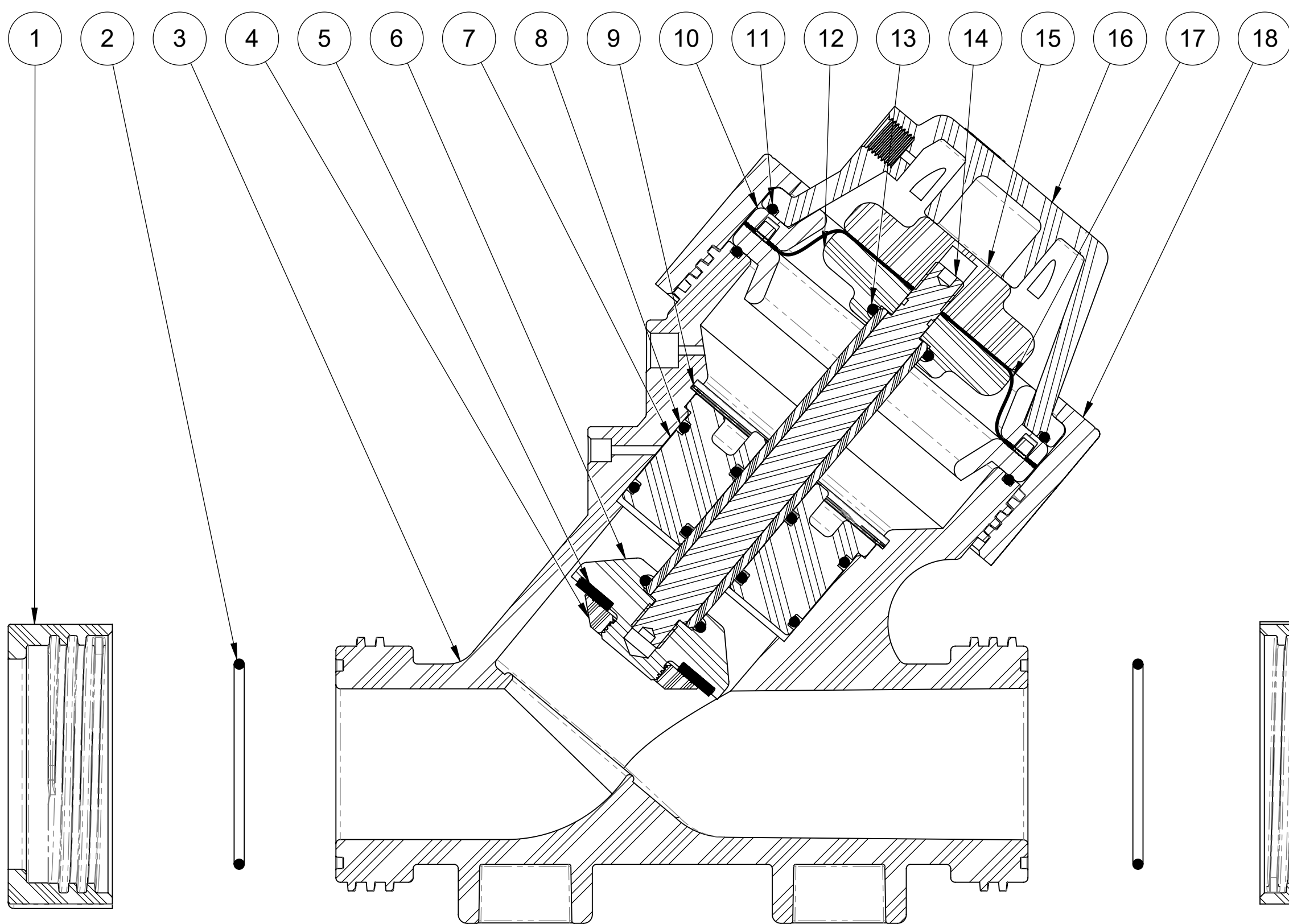
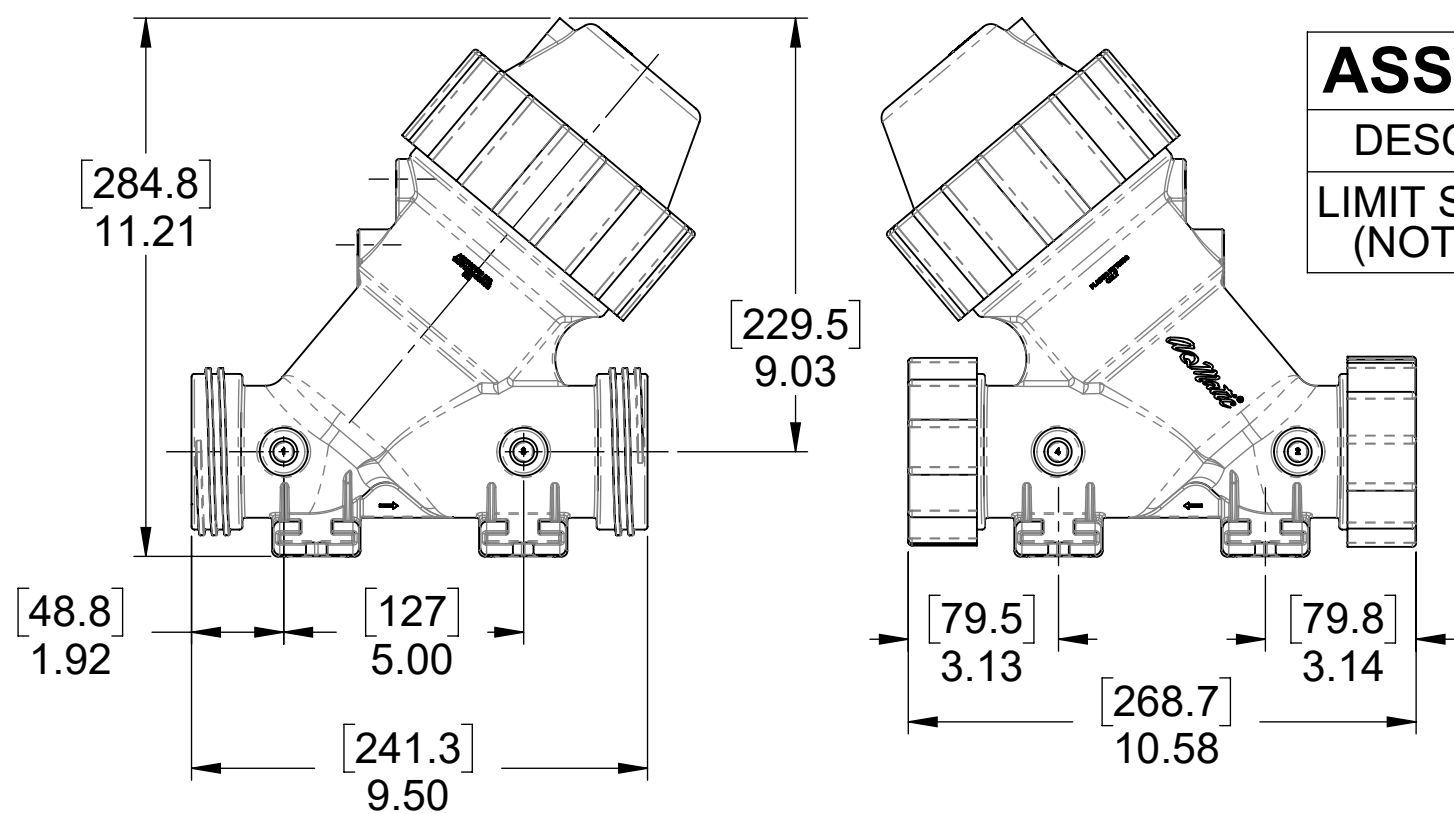
| REV | ECN  | DESCRIPTION   | DATE       | APP'D |
|-----|------|---|------------|-------|
| H   |      | REDRAWN IN SOLIDWORKS: 1-REM'D: BUTYL O-RINGS, 2-REM'D: TEFLON COATED O-RINGS   | 4/17/2014  | TJM   |
| J   |      | 1-ITEM #11 - REM'D: FKM-1073400   | 11/12/2015 | TJM   |
| K   | 1001 | AQ MATIC UPDATE & VERIFIED PART NUMBERS   | 1/16/2017  | MGS   |
| L   | 1286 | PUT LOGO ON VALVE BODY, CORRECT MINOR ERRORS  | 8/16/2018  | KJB   |
| M   | 1867 | REDRAWN, REM'D OBS. P/N 1073557, REM'D OBS. P/N 1071833, REM'D P/N'S 1071787, 1071791, ADD'D MODEL NO'S, CORRECTED MODEL NO FOR 1071347, 1076766 INCLUDED IN SEALS KITS | 4/2/2021   | PMJ   |
| N   | 1979 | MODEL NUMBERS INCLUDED, P/N 1073434 REPLACED WITH 4510754   | 12/10/2021 | PMJ   |
| P   | 2175 | PART DESCRIPTION FIXED  | 12/13/2022 | PMJ   |

ASSEMBLY TOOLS

| DESCRIPTION                 | PART NO. |
|-----------------------------|----------|
| LIMIT STOP TOOL (NOT SHOWN) | 1073556  |

NOTES:

- CONNECTORS NOT FURNISHED WITH VALVE. SEE DWG. NO. 1078165 FOR FEMALE SOCKET WELD CONNECTORS.
- ITEM NO. 19 (P/N 1076766) USED ONLY FOR SEALS KITS.



| ITEM NO. | PART NO | MODEL     | DESCRIPTION                     | QTY.   |
|----------|---------|-----------|---------------------------------|--------|
| 1        | 1073395 | V535-080K | NUT, SOCKET RETAINING, 535 PIPE | 2      |
| 2        | 1071752 | ORE-231   | O-RING, 2-231                   | EPDM   |
|          | 1071824 | ORV-231   |                                 | FKM    |
| 3        | 1073407 | V535-410K | BODY, 535, VALVE                | 1      |
| 4        | 1073396 | V535-093  | NUT, DISC RETAINING, 535        | 1      |
| 5        | 1073401 | V535-110  | DISC, 535                       | EPDM   |
|          | 1073403 | V535-112  |                                 | FKM    |
| 6        | 1073416 | V535-500  | HOLDER, DISC, 535               | 1      |
| 7        | 1073413 | V535-491  | GUIDE, SHAFT, 535               | 1      |
| 8        | 1071753 | ORE-232   | O-RING, 2-232                   | EPDM   |
|          | 1071825 | ORV-232   |                                 | FKM    |
| 9        | 4510754 | V535-593  | RING, RETAINING, 535            | 1      |
| 10       | 1073425 | V535-551K | DIAPHRAGM, SUPPORT, K535        | 2      |
| 11       | 1071712 | ORB-248   | O-RING, 2-248                   | BUNA N |
| 12       | 1073386 | V535-045  | PLATE, DIAPHRAGM, LWR, 535      | 1      |
| 13       | 1071745 | ORE-212   | O-RING, 2-212                   | EPDM   |
|          | 1071816 | ORV-212   |                                 | FKM    |
| 14       | 1073439 | V535-702  | ASSEMBLY, SHAFT, 535            | 1      |
| 15       | 1073384 | V535-040  | PLATE, DIAPHRAGM, UPR, 535      | 1      |
| 16       | 1073382 | V535-020K | CAP, K535                       | 1      |
| 17       | 1073399 | V535-100  | DIAPHRAGM, 535                  | BUNA N |
| 18       | 1073383 | V535-030K | NUT, RETAINING, 535             | 1      |

REPAIR PARTS KITS

| DESCRIPTION   | PART NO. | MODEL NO.                              |
|---|----------|--|
| DIAPHRAGM & SEALS KIT CONSISTS OF ITEM NO'S 2 (X2), 5, 8 (X2), 11 (X2), 12 (X4), 17, 19 | 1070320  | EPDM SEALS & BUNA N DIAPHRAGM 535-RAE  |
|   | 1082191  | FKM SEALS & BUNA N DIAPHRAGM 535-RAVFB |
| INT. PARTS KIT CONSISTS OF ITEM NO'S 4, 6, 7, 9, 10 (X2), 13, 14, 15                    | 1070344  | K535-RF                                |

1070312 (K535-X200-14000)  
**NORMALLY OPEN (STANDARD)**

SEE REVERSE SIDE FOR CONFIGURATION OPTIONS.

THIS DOCUMENT IS SOLELY THE PROPERTY OF AQ-MATIC REPRODUCTION, USE DISCLOSURE, OR TRANSMISSION OF THIS DOCUMENT OR DETAILS CONTAINED HEREIN, IN PART OR IN WHOLE, IS PROHIBITED WITHOUT THE WRITTEN CONSENT OF AQ-MATIC ENGINEERING. THIS DOCUMENT AND ANY COPIES SHALL BE RETURNED TO AQ-MATIC UPON WRITTEN REQUEST.

INTERPRET DIMENSIONS AND TOLERANCES PER ASME Y14.5M -1994

UNLESS OTHERWISE SPECIFIED: DIMENSIONS ARE IN INCHES (mm) CORNER FILLETS R.005-.020 (.127-.508) TOLERANCES: ANGLES: ±1° 1 PLACE .X: ±.100 (2.54) 2 PLACE .XX: ±.010 (0.25) 3 PLACE .XXX: ±.005 (0.13)

THE COMPONENT OR PRODUCT DESCRIBED IN THIS DOCUMENT MUST COMPLY WITH RoHS 3 EU (EUROPEAN UNION) DIRECTIVE 2015/863

THIRD ANGLE PROJECTION

APPROVALS DATE

DRAWN PMJ 4/2/2021

CHECKED BY

APPROVED



DESCRIPTION CATALOG SHEET, 535, VALVE

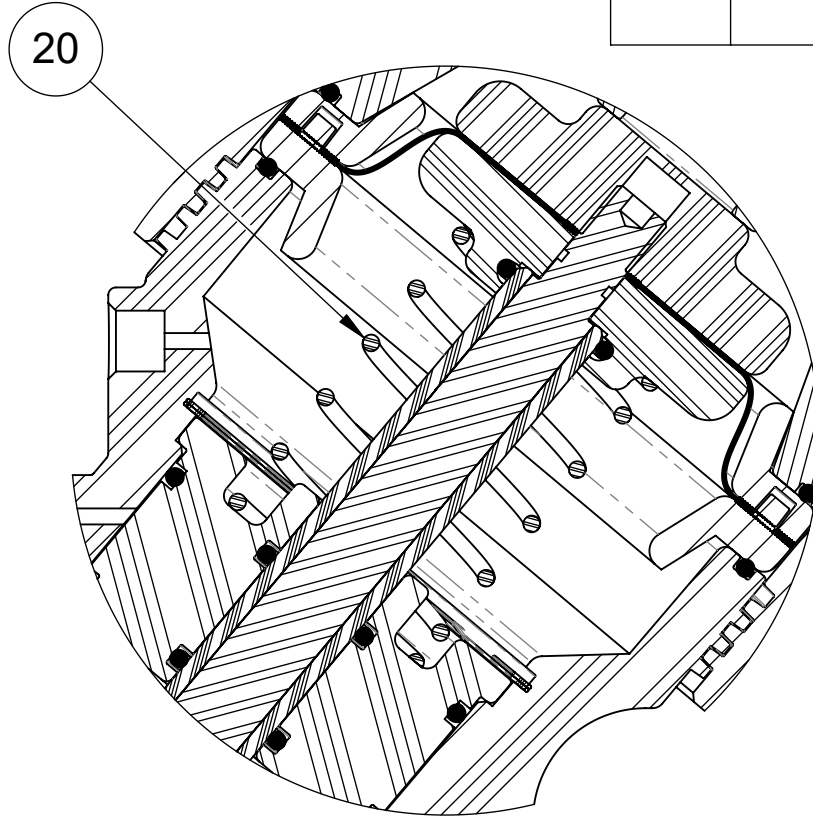
SIZE C DWG NO. 1077690 REV. P

SCALE 1:4 SOLIDWORKS FORMAT SHEET 1 OF 2

| REVISIONS                        |     |             |      |       |
|----------------------------------|-----|-------------|------|-------|
| REV                              | ECN | DESCRIPTION | DATE | APP'D |
| SEE SHEET 1 FOR REVISION HISTORY |     |             |      |       |

### REPAIR PARTS KITS

| DESCRIPTION  | PART NO. | MODEL NO. |
|--|----------|-----------|
| INT. PARTS KIT (SPRING ASSIST CLOSED)<br>CONSISTS OF ITEM NO 20              | 1075236  | 535-S     |
| INT. PARTS KIT (SPRING ASSIST OPEN)<br>CONSISTS OF ITEM NO 20                |          |           |
| INT. PARTS KIT (LIMIT STOP)<br>CONSISTS OF ITEM NO'S 21 - 23, 25             | 1075234  | 535-LS    |
| INT. PARTS KIT (POSITION INDICATOR)<br>CONSISTS OF ITEM NO'S 22, 23, 25 - 30 | 1075235  | 535-PI    |



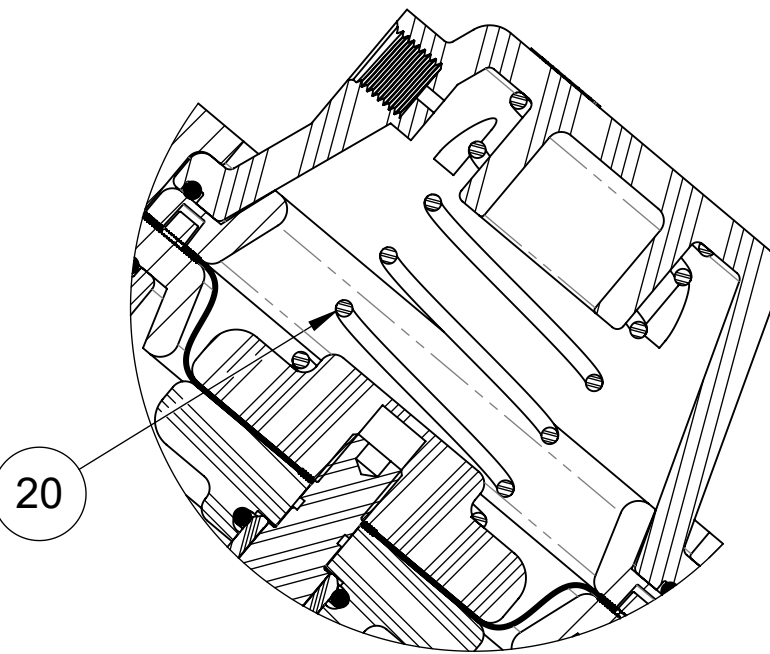
1071365 (K535-X201-14000)  
**SPRING ASSIST OPEN**

### SPRING ASSIST OPEN/CLOSE MODEL

| ITEM NO. | PART NO. | MODEL    | DESCRIPTION              | QTY. |
|----------|----------|----------|--------------------------|------|
| 20       | 1073404  | V535-170 | SPRING, COMPRESSION, 535 | 1    |

### CONVERSION KITS

| DESCRIPTION  | PART NO. | MODEL NO. |
|--|----------|-----------|
| CONVERSION KIT (SPRING ASSIST CLOSED)<br>CONSISTS OF ITEM NO 20          | 1075236  | 535-S     |
| CONVERSION KIT (SPRING ASSIST OPEN)<br>CONSISTS OF ITEM NO 20            |          |           |
| INT. PARTS KIT (LIMIT STOP)<br>CONSISTS OF ITEM NO'S 11, 21 - 25         | 1071343  | K535-LSC  |
| INT. PARTS KIT (POSITION INDICATOR)<br>CONSISTS OF ITEM NO'S 11, 22 - 30 | 1071344  | K535-PIC  |



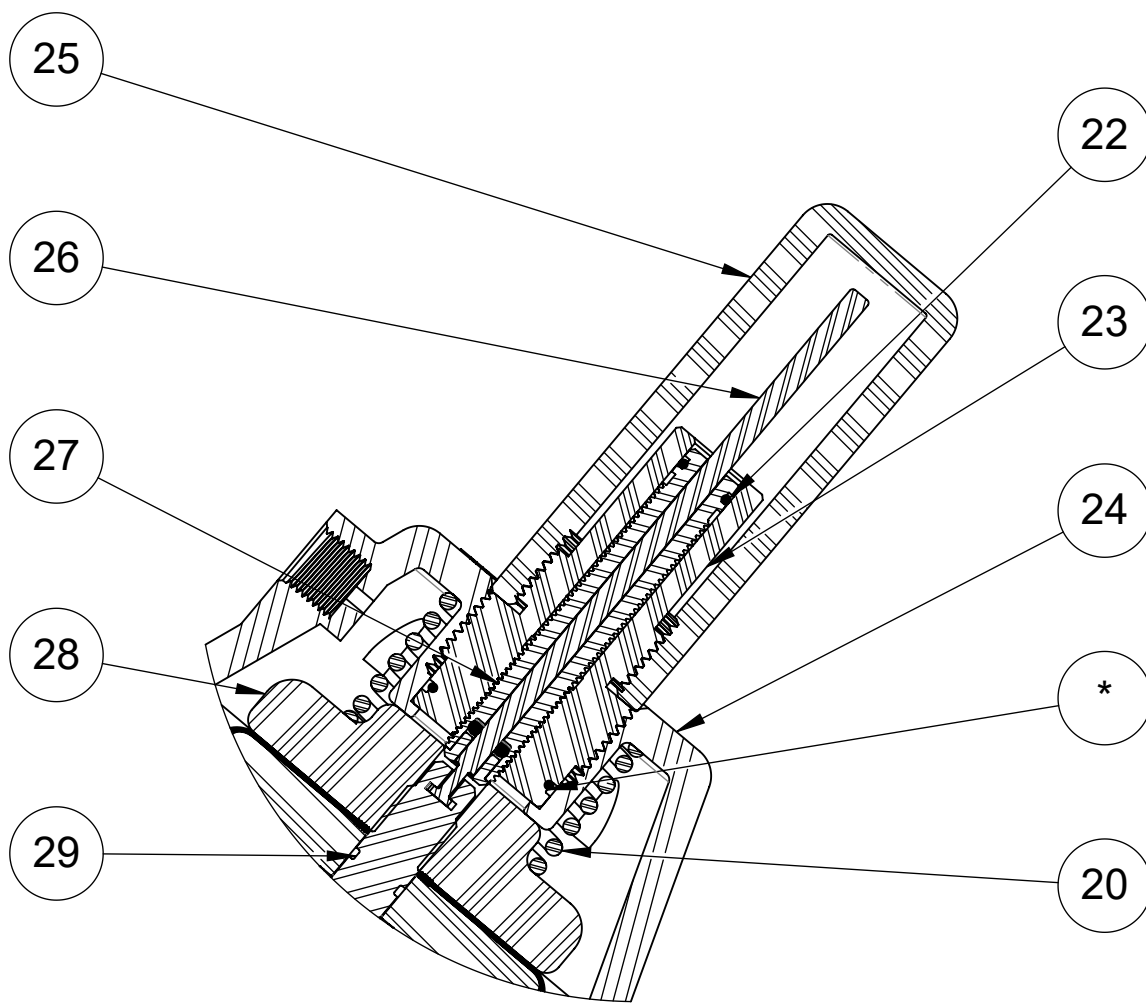
1071367 (K535-X202-14000)  
**SPRING ASSIST CLOSED**

### LIMIT STOP MODEL

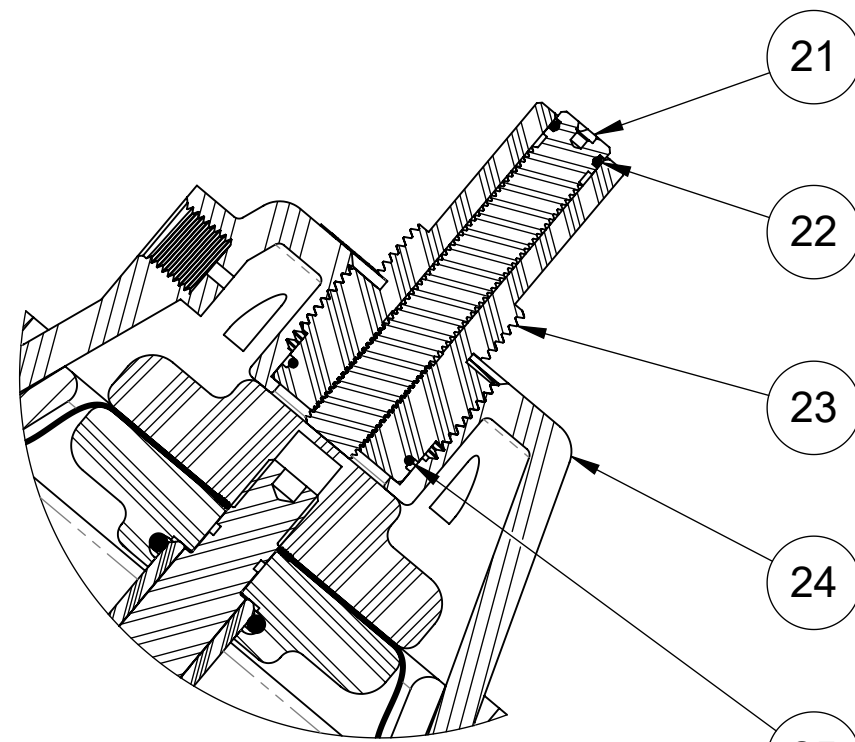
| ITEM NO. | PART NO. | MODEL     | DESCRIPTION             | QTY. |
|----------|----------|-----------|-------------------------|------|
| 21       | 1073432  | V535-576  | SCREW, LIMIT STOP, 535  | 1    |
| 22       | 1071668  | ORB-012   | O-RING, 2-012 BUNA N    | 1    |
| 23       | 1073427  | V535-570  | GUIDE, LIMIT STOP, K535 | 1    |
| 24       | 1073408  | V535-420K | CAP, VALVE, K535, LS/PI | 1    |
| 25       | 1071676  | ORB-024   | O-RING, 2-024 BUNA N    | 1    |

### POSITION INDICATOR MODEL

| ITEM NO. | PART NO. | MODEL     | DESCRIPTION                    | QTY. |
|----------|----------|-----------|--------------------------------|------|
| 20       | 1073404  | V535-170  | SPRING, COMPRESSION, 535       | 1    |
| 22       | 1071668  | ORB-012   | O-RING, 2-012 BUNA N           | 1    |
| 23       | 1073427  | V535-570  | GUIDE, LIMIT STOP, K535        | 1    |
| 24       | 1073408  | V535-420K | CAP, VALVE, K535, LS/PI        | 1    |
| 25       | 1073424  | V535-550  | SIGHT GLASS, 535               | 1    |
| 26       | 1073426  | V535-555  | INDICATOR, POSITION, K535      | 1    |
| 27       | 1073437  | V535-700  | LIMIT STOP ASSY, 535           | 1    |
| 28       | 1073409  | V535-442  | PLATE, DIAPHRAGM, UPR, PI, 535 | 1    |
| 29       | 1073438  | V535-701  | SHAFT ASSY, 535, LS/PI         | 1    |



1071347 (K535-X2A1-14000)  
**LIMIT STOP / POSITION INDICATOR**



1070313 (K535-X210-14000)  
**LIMIT STOP**

SEE REVERSE SIDE FOR STANDARD NORMALLY OPEN MODEL.

THIS DOCUMENT IS SOLELY THE PROPERTY OF AQ-MATIC REPRODUCTION, USE DISCLOSURE, OR TRANSMISSION OF THIS DOCUMENT OR DETAILS CONTAINED HEREIN, IN PART OR IN WHOLE, IS PROHIBITED WITHOUT THE WRITTEN CONSENT OF AQ-MATIC ENGINEERING. THIS DOCUMENT AND ANY COPIES SHALL BE RETURNED TO AQ-MATIC UPON WRITTEN REQUEST.

INTERPRET DIMENSIONS AND TOLERANCES PER ASME Y14.5M -1994

UNLESS OTHERWISE SPECIFIED:  
DIMENSIONS ARE IN INCHES [mm]  
CORNER FILLETS R.005-020 [127-508]  
TOLERANCES:  
ANGLES: ±1°  
1 PLACE .X: ±.100 [2.54]  
2 PLACE .XX: ±.010 [0.25]  
3 PLACE .XXX: ±.005 [0.13]

|  |            |  |          |  |
|--|------------|--|----------|--|
| THE COMPONENT OR PRODUCT DESCRIBED IN THIS DOCUMENT MUST COMPLY WITH RoHS 3 EU (EUROPEAN UNION) DIRECTIVE 2015/863 |            |  |          |  |
| THIRD ANGLE PROJECTION   | APPROVALS  |  | DATE     | <b>AQ-MATIC</b><br>VALVES AND CONTROLS<br>DESCRIPTION<br><b>CATALOG SHEET, 535, VALVE</b><br>SIZE <b>C</b> DWG NO. <b>1077690</b> REV. <b>P</b><br>SCALE <b>1:1.5</b> SOLIDWORKS FORMAT SHEET 2 OF 2 |
|  | DRAWN      |  | 4/2/2021 |  |
|  | CHECKED BY |  |          |  |
|  | APPROVED   |  |          |  |