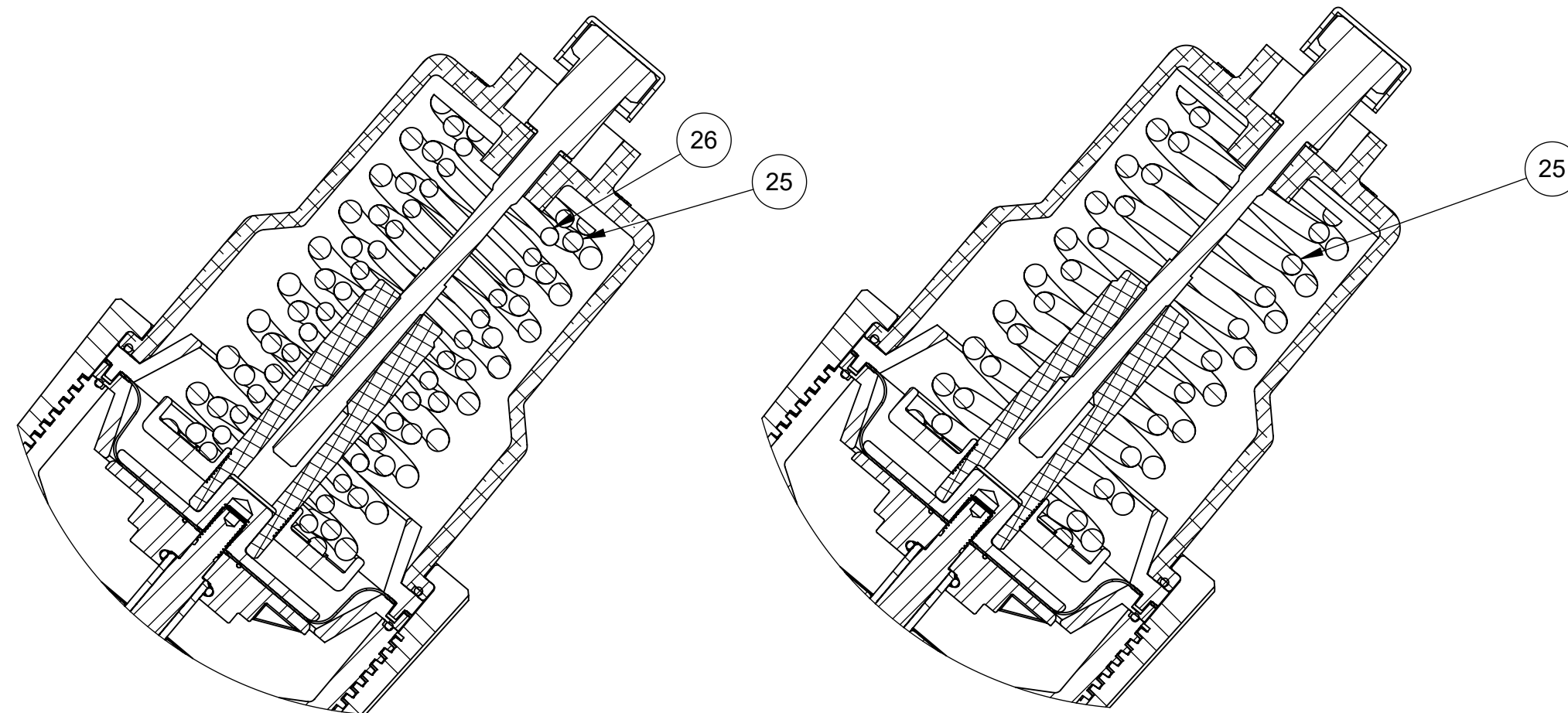


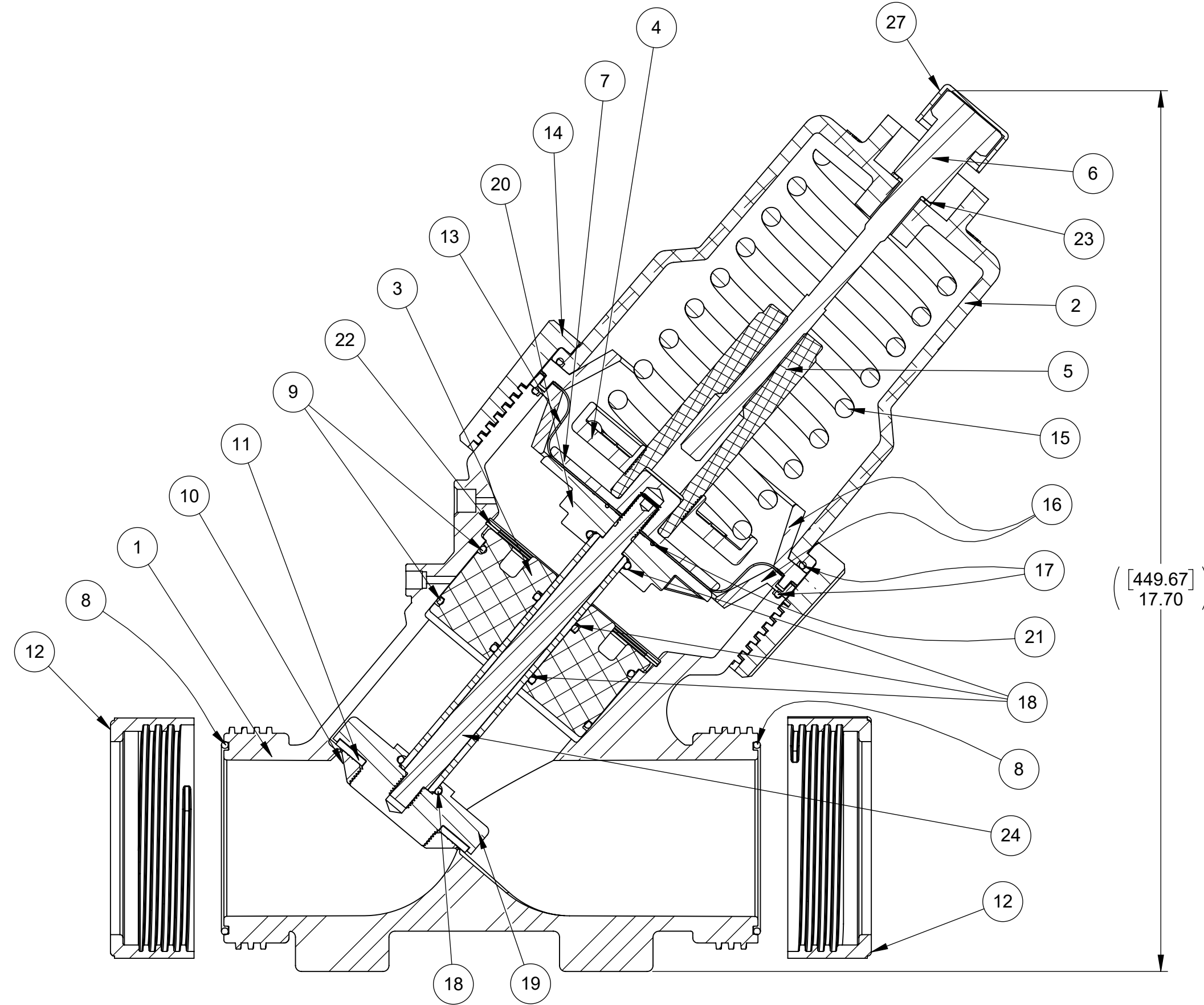
REVISIONS				
ECN	REV.	DESCRIPTION	DATE	APP'D
1834	F	REMOVE BR1073477, ADD 4510494, UPDATE DRAWING	1/28/21	TRK
1857	G	INSTRUCTIONS FOR REPAIR KITS ADDED.	3/4/21	PMJ
1950	H	CORRECTION TO PRINT, REV LEVEL DOCUMENTATION ERROR	10/1/21	TRK
2225	I	CORRECTION TO PRINT	5/4/23	TRK

ITEM NO.	100PSI-7BAR 1071396 QTY.	60PSI-4BAR 1071393 QTY.	30PSI-2BAR 1071392 QTY.	MATERIAL	DESCRIPTION	PART NUMBER
1	1	1	1	NORYL	BODY, 537, VALVE	1073472 (V537-410K)
2	1	1	1	ALUMINUM	CAP, FAILSAFE	1073480 (V537-495)
3	1	1	1	PVC	GUIDE, SHAFT, 537	1073478 (V537-491)
4	1	1	1	SS	RING, SPRING RETAINER	1073504 (V537-597)
5	1	1	1	SS	BASE, SPRING RETAINER	1073503 (V537-596)
6	1	1	1	SS	SCREW, FAILSAFE	1073501 (V537-592)
7	1	1	1	SS	PLATE, UPPER DIAPGM, FAIL SAFE	1073476 (V537-444)
8	2	2	2	EPDM	O-RING, 2-239	1071756 (ORE-239)
9	2	2	2	EPDM	O-RING, 2-240	1071757 (ORE-240)
10	1	1	1	PVC	NUT, DISC, PLATE, 537	1073459 (V537-093)
11	1	1	1	EPDM	DISC, 537	1073463 (V537-110)
12			2	NORYL	NUT, RETAINING, 537	1073458 (V537-080K)
13	1	1	1	NBR	DIAPHRAGM	1073462 (V537-100)
14	1	1	1	ALUMINUM	NUT, CAP RETAINING, 537 FAILSAFE	43293
15	1	1	1	SS	COMPRESSION SPRING	1073468 (V537-171)
16	2	2	2	NORYL	DIAPHRAGM SUPPORT, K537	1073491 (V537-551K)
17	2	2	2	NITRILE	O-RING, 2-259	1071714 (ORB-259)
18	4	4	4	EPDM	O-RING, 2-212	1071745 (ORE-212)
19	1	1	1	ULTEM	HOLDER, DISC, 537	43361
20	1	1	1	SS	K537 LOWER DIAPHRAGM PLATE	4510653
21	1	1	1	FKM	O-RING, 2-024	1071676 (ORB-024)
22	1	1	1	SS	RING, RETAINING, 537	1073505 (V537-598)
23	1	1	1	SS	WASHER, 1.00 X .686 X .06	1073596 (WAS-0025)
24	1	1	1	PVC /SS	SHAFT (ASSEMBLY)	1073508 (V537-702)
25	1	1	1	SS	COMPRESSION SPRING	1073469 (V537-093)
26	1	1	1	SS	COMPRESSION SPRING	1073470 (V537-173)
27	1	1	1	PLASTIC	CAP PLUG, 1-1/2 X 1"	1071483



1071396 (K535-X205-14000) (100 PSI - 7 BAR)
FAILSAFE CLOSED

1071393 (K535-X204-14000) (60 PSI - 4 BAR)
FAILSAFE CLOSED



1071392 (K537-X203-14000) (30 PSI - 2 BAR)
FAILSAFE CLOSED

NOTE:
REPLACEMENT COMPONENTS UNIQUE TO FAILSAFE DESIGN ARE
AVAILABLE AS A REPAIR KIT ONLY. SEE SHEET 2 FOR KIT DETAILS.

THIS DOCUMENT IS SOLELY THE PROPERTY OF AQ-MATIC REPRODUCTION, USE DISCLOSURE, OR TRANSMISSION OF THIS DOCUMENT OR DETAILS CONTAINED HEREIN, IN PART OR IN WHOLE, IS PROHIBITED WITHOUT THE WRITTEN CONSENT OF AQ-MATIC ENGINEERING. THIS DOCUMENT AND ANY COPIES SHALL BE RETURNED TO AQ-MATIC UPON WRITTEN REQUEST.

INTERPRET DIMENSIONS AND TOLERANCES PER ASME Y14.5M -1994

UNLESS OTHERWISE SPECIFIED:
DIMENSIONS ARE IN INCHES (mm)
CORNER FILLETS R.005-.020 [127-508]
TOLERANCES:
ANGLES: ±1°
1 PLACE .X: ±.100 [2.54]
2 PLACE .XX: ±.010 [0.25]
3 PLACE .XXX: ±.005 [0.13]

THE COMPONENT OR PRODUCT DESCRIBED IN THIS DOCUMENT MUST COMPLY WITH RoHS 3 EU (EUROPEAN UNION) DIRECTIVE 2015/863

THIRD ANGLE PROJECTION

APPROVALS: TRK DATE: 1/28/21

DESCRIPTION: CATALOG SHEET, K537 FAIL SAFE

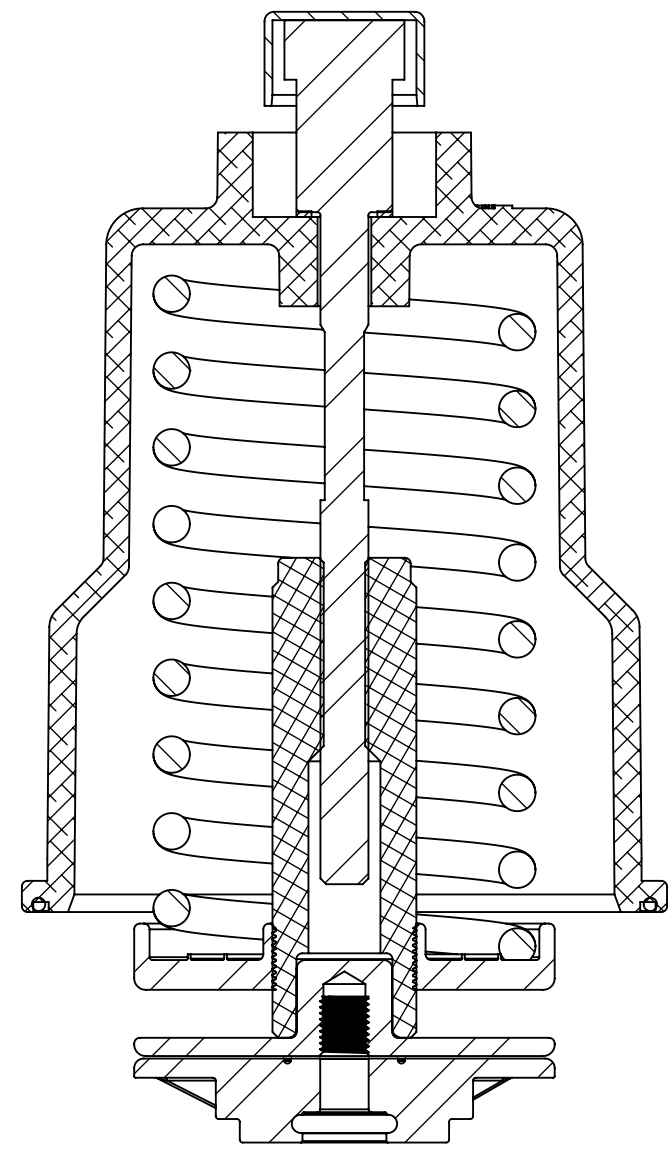
SIZE: C DWG NO.: 1078168 REV.: I

SCALE: 1:4 SOLIDWORKS FORMAT SHEET 1 OF 2

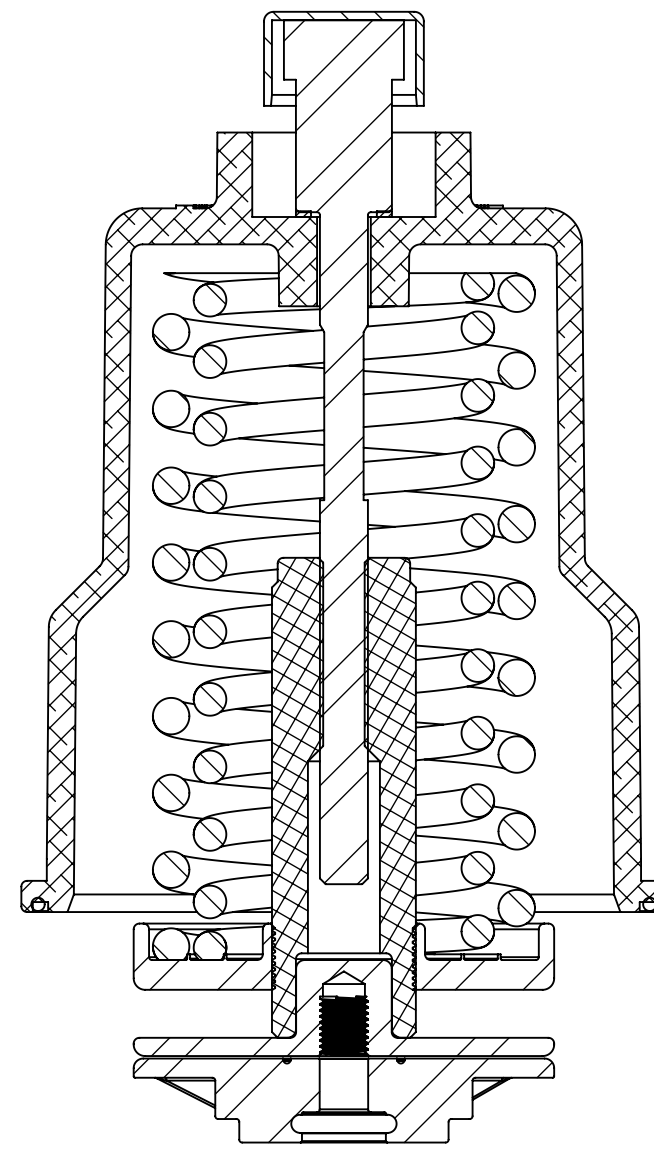
CAP REPLACEMENT INSTRUCTIONS:

1. TURN SCREW (6) OF OLD CAP CLOCKWISE UNTIL SPRINGS ARE FULLY COMPRESSED.
2. UNSCREW CAP NUT (14) AND REMOVE OLD CAP ASSEMBLY.
3. PLACE O-RING (17) INTO BOTTOM GROOVE IN CAP ASSEMBLY.
4. PLACE NEW CAP ASSEMBLY ON VALVE AND TIGHTEN CAP NUT (14).
5. TURN SCREW (6) OF NEW CAP COUNTERCLOCKWISE UNTIL CONTACT IS MADE WITH UPPER DIAPHRAGM PLATE (7) WHILE IN CLOSED POSITION.

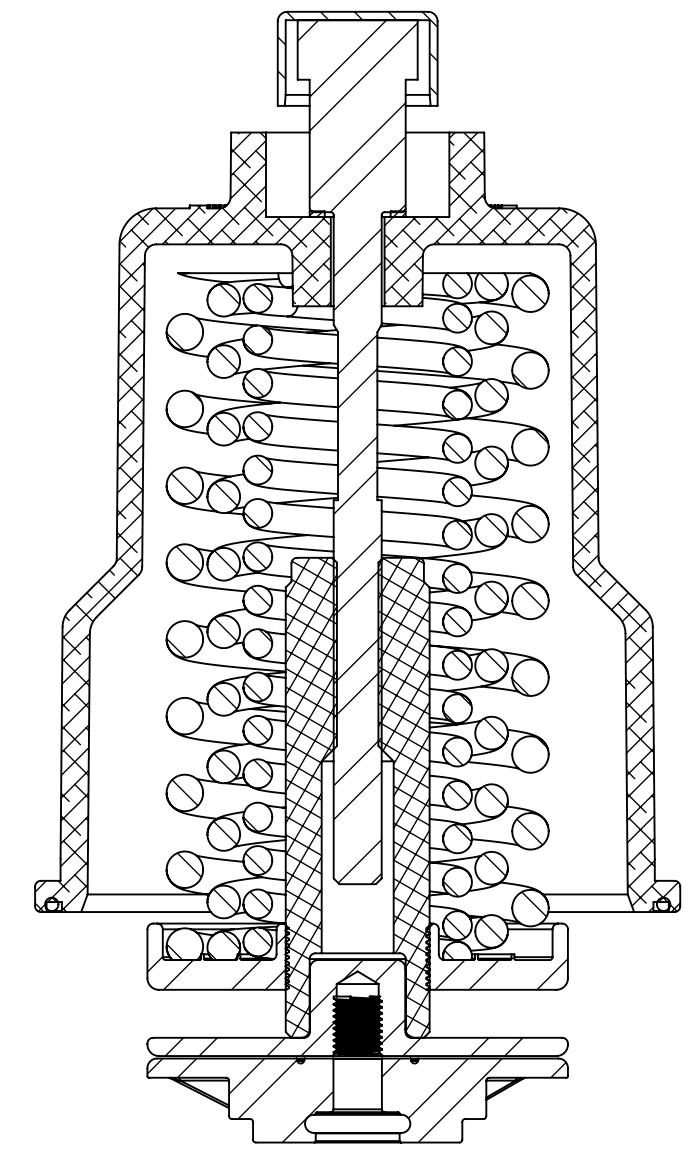
REVISIONS				
ECN	REV.	DESCRIPTION	DATE	APP'D
		SEE PG. 1 FOR REVISION UPDATES		



1071375 (K537-FS3)
REPAIR KIT - 30#



1071376 (K537-FS6)
REPAIR KIT - 60#




1071374 (K537-FS1)
REPAIR KIT - 100#

VALVE SERIES	30# FAILSAFE #TURNS UP FROM BOTTOM	60# FAILSAFE #TURNS UP FROM BOTTOM	100# FAILSAFE #TURNS UP FROM BOTTOM
537	14	12	14

REPAIR KITS	
REPAIR KIT NO.	PART NUMBERS INCLUDED. SOLD AS ASSEMBLY ONLY.
1071375 (K537-FS3)	INCLUDES ITEM #'S: 2, 4, 5, 6, 7, 14, 15, 17(2), 20, 23, 27
1071376 (K537-FS6)	INCLUDES ITEM #'S: 2, 4, 5, 6, 7, 14, 15, 17(2), 20, 23, 25, 27
1071374 (K537-FS1)	INCLUDES ITEM #'S: 2, 4, 5, 6, 7, 14, 15, 17(2), 20, 23, 26, 27

NOTES:

1. REPAIR KIT IS TO BE SHIPPED TO CUSTOMER IN A FULLY COMPRESSED STATE.

THIS DOCUMENT IS SOLELY THE PROPERTY OF AQ-MATIC REPRODUCTION, USE DISCLOSURE, OR TRANSMISSION OF THIS DOCUMENT OR DETAILS CONTAINED HEREIN, IN PART OR IN WHOLE, IS PROHIBITED WITHOUT THE WRITTEN CONSENT OF AQ-MATIC ENGINEERING. THIS DOCUMENT AND ANY COPIES SHALL BE RETURNED TO AQ-MATIC UPON WRITTEN REQUEST.				THE COMPONENT OR PRODUCT DESCRIBED IN THIS DOCUMENT MUST COMPLY WITH RoHS 3 EU (EUROPEAN UNION) DIRECTIVE 2015/863			
THIRD ANGLE PROJECTION		APPROVALS		DATE		 AQ-MATIC VALVES AND CONTROLS	
		DRAWN		1/28/21			
INTERPRET DIMENSIONS AND TOLERANCES PER ASME Y14.5M -1994		CHECKED BY		APPROVED		DESCRIPTION	
UNLESS OTHERWISE SPECIFIED: DIMENSIONS ARE IN INCHES (mm) CORNER FILLETS R.005-.020 [.127-.508] TOLERANCES: ANGLES : ± 1° 1 PLACE .X: ± .100 [2.54] 2 PLACE .XX: ± .010 [0.25] 3 PLACE .XXX: ± .005 [0.13]						CATALOG SHEET, K537 FAIL SAFE	
						SIZE C DWG NO. 1078168 REV. 1	
						SCALE 1:4 SOLIDWORKS FORMAT SHEET 2 OF 2	