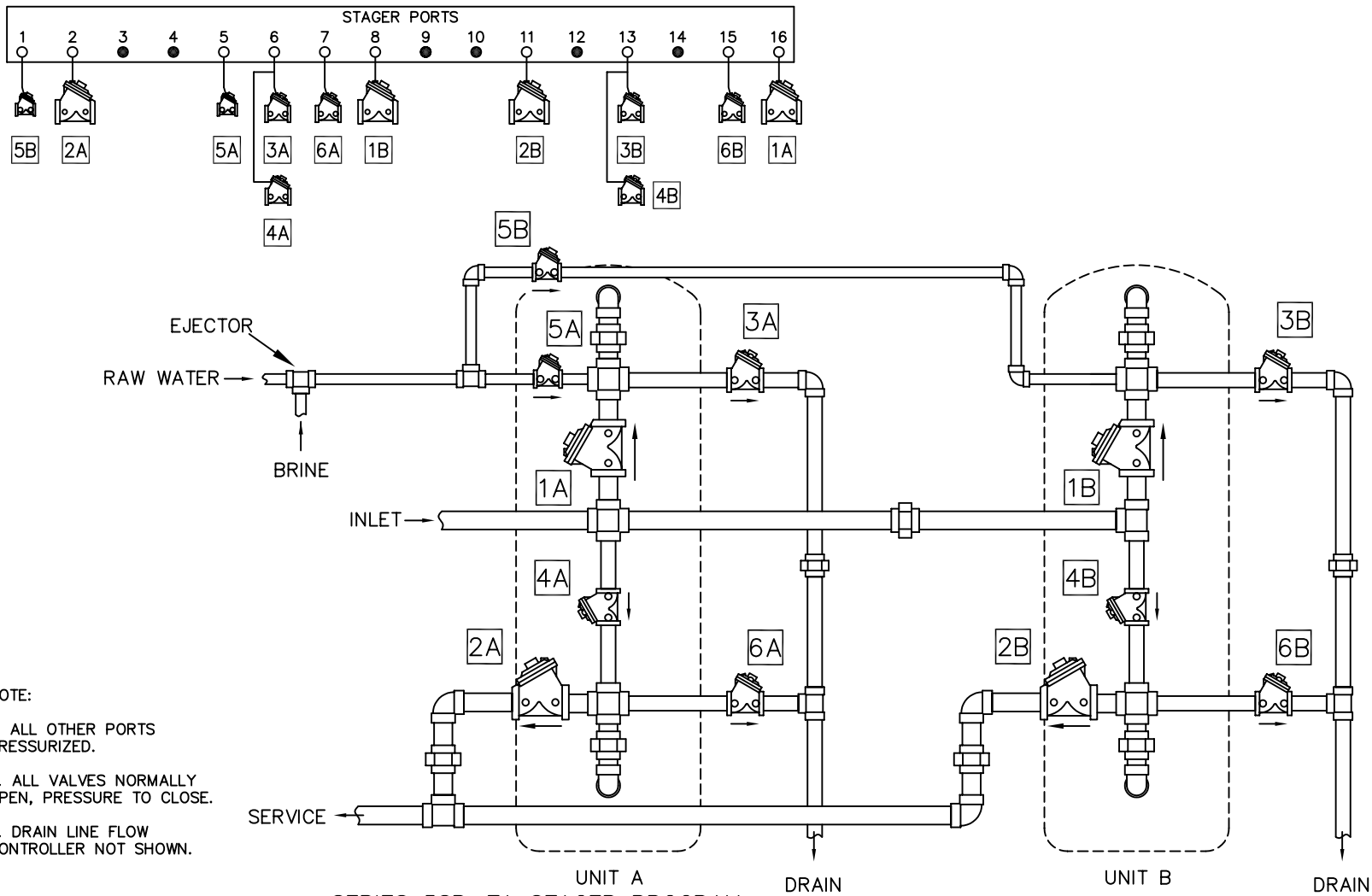


TWO TANK ALTERNATING SOFTENER (58-TA STAGER)



- NOTE:
1. ALL OTHER PORTS PRESSURIZED.
 2. ALL VALVES NORMALLY OPEN, PRESSURE TO CLOSE.
 3. DRAIN LINE FLOW CONTROLLER NOT SHOWN.

PRINTED IN U.S.A.

SERIES 58B-TA STAGER PROGRAM

NOTCH	POS.	FUNCTION		PORTS VENTED (NOTE 1)	VALVES OPEN	NOTCH	POS.	FUNCTION		PORTS VENTED (NOTE 1)	VALVES OPEN
		UNIT A	UNIT B					UNIT A	UNIT B		
A	0	SERVICE	STANDBY	1,2,8,16	5B,2A,1B,1A	J	4	STANDBY	SERVICE	8,11,16	1B,2B,1A
B						K					
C						L					
D	1	BACKWASH	SERVICE	6,8,11	3A,4A,2B,1B	M					
E	2	BRINE/SLOW RINSE	SERVICE	5,7,8,11	5A,6A,2B,1B	N					
F						P	5	SERVICE	BACKWASH	2,13,16	2A,3B,4B,1A
G						Q	6	SERVICE	BRINE/SLOW RINSE	1,2,15,16	5B,2A,6B,1A
H	3	FAST RINSE	SERVICE	7,8,11,16	6A,1B,2B,1A	R	7	SERVICE	FAST RINSE	2,8,15,16	2A,1B,6B,1A

B	CORRECTED ERROR IN STAGER POS. NOS.	NONE	MSM	21MAR03
REV	DESCRIPTION	ECO	DWN	DATE
		16605 West Victor Rd New Berlin, WI 53151 262-326-0100 www.aq-matic.com		
TWO UNIT ALTERNATING SOFTENER				
SCALE	DRAWN	DATE	DWG. NO.	
N/A	JWB	31JUL01	1078293	